

 **axial**<sup>®</sup>  
WWW.AXIALADVENTURE.COM

1/10th SCALE ROCK CRAWLER READY-TO-RUN  
**SCX10™ III JEEP® CJ-7**



**INSTRUCTION MANUAL  
BEDIENUNGSANLEITUNG  
MANUEL D'UTILISATION  
MANUALE DI ISTRUZIONI**

Scan the QR code and select the Support tab from the product page for the most up-to-date manual information.

Scannen Sie den QR-Code und wählen Sie auf der Produktseite die Registerkarte „Support“, um die aktuellsten Informationen zu Handbüchern.

Scannez le code QR et sélectionnez l'onglet Support sur la page du produit pour obtenir les informations les plus récentes sur le manuel.

Scannerizzare il codice QR e selezionare la scheda Supporto dalla pagina del prodotto per le informazioni manuali più aggiornate.



AXI03008V2

1278672.1  
Updated 01/26

**HORIZON**<sup>®</sup>  
H O B B Y

**NOTICE**

All instructions, warranties and other collateral documents are subject to change at the sole discretion of Horizon Hobby, LLC. For up-to-date product literature, visit [horizonhobby.com](http://horizonhobby.com) or [towerhobbies.com](http://towerhobbies.com) and click on the support or resources tab for this product.


**MEANING OF SPECIAL LANGUAGE**

The following terms are used throughout the product literature to indicate various levels of potential harm when operating this product:

**WARNING:** Procedures, which if not properly followed, create the probability of property damage, collateral damage, and serious injury OR create a high probability of superficial injury.

**CAUTION:** Procedures, which if not properly followed, create the probability of physical property damage AND a possibility of serious injury.

**NOTICE:** Procedures, which if not properly followed, create a possibility of physical property damage AND a little or no possibility of injury.

 **WARNING:** Read the ENTIRE instruction manual to become familiar with the features of the product before operating. Failure to operate the product correctly can result in damage to the product, personal property and cause serious injury.

This is a sophisticated hobby product. It must be operated with caution and common sense and requires some basic mechanical ability. Failure to operate this Product in a safe and responsible manner could result in injury or damage to the product or other property. This product is not intended for use by children without direct adult supervision. Do not use with incompatible components or alter this product in any way outside of the instructions provided by Horizon Hobby, LLC. This manual contains instructions for safety, operation and maintenance. It is essential to read and follow all the instructions and warnings in the manual, prior to assembly, setup or use, in order to operate correctly and avoid damage or serious injury.


**Age Recommendation: Not for children under 14 years. This is not a toy.**

**SAFETY PRECAUTIONS AND WARNINGS**

As the user of this product, you are solely responsible for operating in a manner that does not endanger yourself and others or result in damage to the product or property of others.

This model is controlled by a radio signal subject to interference from many sources outside your control. This interference can cause momentary loss of control, so it is advisable to always keep a safe distance in all directions around your model as this margin will help avoid collisions or injury.

- Never operate your model with low transmitter batteries.
- Always operate your model in open spaces away from full-size vehicles, traffic and people.
- Never operate the model in the street or in populated areas for any reason.
- Carefully follow the directions and warnings for this and any optional support equipment (chargers, rechargeable battery packs, etc.) you use.
- Keep all chemicals, small parts and anything electrical out of the reach of children.
- Never lick or place any portion of the model in your mouth as it could cause serious injury or even death.
- Exercise caution when using tools and sharp instruments.
- Take care during maintenance as some parts may have sharp edges.
- Immediately after using your model, do NOT touch equipment such as the motor, electronic speed control and battery, because they generate high temperatures. You may burn yourself seriously touching them.
- Do not put fingers or any objects inside rotating and moving parts, as this may cause damage or serious injury.
- Always turn on your transmitter before you turn on the receiver in the car. Always turn off the receiver before turning your transmitter off.
- Keep the wheels of the model off the ground when checking the operation of the radio equipment.

 **WARNING AGAINST COUNTERFEIT PRODUCTS:** Always purchase from a Horizon Hobby, LLC authorized dealer to ensure authentic high-quality Spektrum product. Horizon Hobby, LLC disclaims all support and warranty with regards, but not limited to, compatibility and performance of counterfeit products or products claiming compatibility with DSM® or Spektrum technology.

## TABLE OF CONTENTS

Safety Precautions and Warnings .....	2	Range-Checking the Radio System .....	9
Water-Resistant Vehicle with Waterproof Electronics .....	3	Vehicle Maintenance .....	9
Box Contents.....	4	Firma 40A Brushed ESC .....	10
Required Equipment.....	4	Gear Ratios.....	10
Recommended Tools .....	4	Troubleshooting.....	11
Getting Started Checklist.....	5	Limited Warranty.....	12
Vehicle Parts.....	5	Warranty and Service Contact Information .....	12
Charge the Vehicle Battery .....	6	FCC Information.....	13
Install the Transmitter Batteries.....	6	IC Information.....	13
Transmitter Functions.....	6	Compliance Information for the European Union .....	13
SPMSR515 Dual Protocol Receiver .....	7	Exploded View.....	50–58
Adjusting the Vehicle Battery Tray.....	7	Parts List.....	59–61
DIG Programming Procedure.....	7	Optional Parts.....	62–63
Install the Vehicle Battery .....	8	Electronics .....	63
Binding.....	8		

## WATER-RESISTANT VEHICLE WITH WATERPROOF ELECTRONICS

Your new Horizon Hobby vehicle has been designed and built with a combination of waterproof and water-resistant components to allow you to operate the product in many “wet conditions,” including puddles, creeks, wet grass, snow and even rain.

While the entire vehicle is highly water-resistant, it is not completely waterproof and your vehicle should NOT be treated like a submarine. The various electronic components used in the vehicle, such as the Electronic Speed Control (ESC), servo(s) and receiver are waterproof, however, most of the mechanical components are water-resistant and should not be submerged.

Metal parts, including the bearings, hinge pins, screws and nuts, as well as the contacts in the electrical cables, will be susceptible to corrosion if additional maintenance is not performed after running in wet conditions. To maximize the long-term performance of your vehicle and to keep the warranty intact, the procedures described in the “Wet Conditions Maintenance” section below must be performed regularly if you choose to run in wet conditions. If you are not willing to perform the additional care and maintenance required, then you should not operate the vehicle in those conditions.



**CAUTION:** Failure to exercise caution while using this product and complying with the following precautions could result in product malfunction and/or void the warranty.

### GENERAL PRECAUTIONS

- Read through the wet conditions maintenance procedures and make sure that you have all the tools you will need to properly maintain your vehicle.
- Not all batteries can be used in wet conditions. Consult the battery manufacturer before use. Caution should be taken when using Li-Po batteries in wet conditions.
- Most transmitters are not water-resistant. Consult your transmitter’s manual or the manufacturer before operation.
- Never operate your transmitter or vehicle where lightning may be present.
- Do not operate your vehicle where it could come in contact with salt water (ocean water or water on salt-covered roads), contaminated or polluted water. Salt water is very conductive and highly corrosive, so use caution.

- Even minimal water contact can reduce the life of your motor if it has not been certified as water-resistant or waterproof. If the motor becomes excessively wet, apply very light throttle until the water is mostly removed from the motor. Running a wet motor at high speeds may rapidly damage the motor.
- Driving in wet conditions can reduce the life of the motor. The additional resistance of operating in water causes excess strain. Alter the gear ratio by using a smaller pinion or larger spur gear. This will increase torque (and motor life) when running in mud, deeper puddles, or any wet conditions that will increase the load on the motor for an extended period of time.

### WET CONDITIONS MAINTENANCE

- Drain any water that has collected in the tires by spinning them at high speed. With the body removed, place the vehicle upside down and pull full throttle for a few short bursts until the water has been removed.



**CAUTION:** Always keep hands, fingers, tools and any loose or hanging objects away from rotating parts when performing the above drying technique.

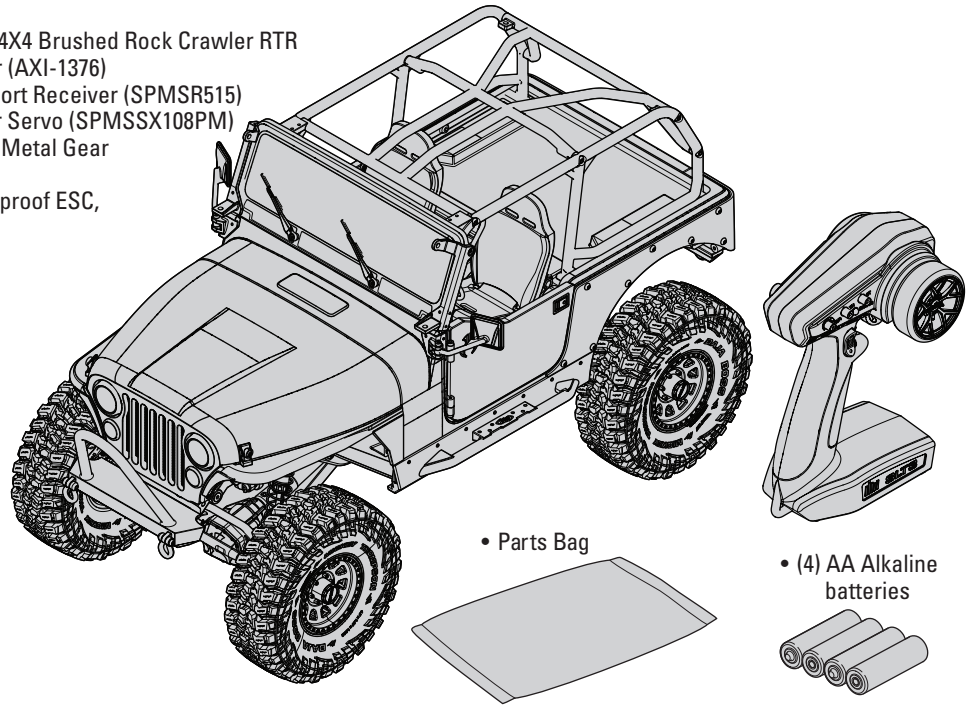
- Remove the battery pack(s) and dry the contacts. If you have an air compressor or a can of compressed air, blow out any water that may be inside the recessed connector housing.
- Remove the tires/wheels from the vehicle and gently rinse the mud and dirt off with a garden hose. Avoid rinsing the bearings and transmission.

**NOTICE:** Never use a pressure washer to clean your vehicle.

- Use an air compressor or a can of compressed air to dry the vehicle and help remove any water that may have gotten into small crevices or corners.
- Spray the bearings, drive train, fasteners and other metal parts with a water-displacing light oil. Do not spray the motor.
- Let the vehicle air dry before you store it. Water (and oil) may continue to drip for a few hours.
- Increase the frequency of disassembly, inspection and lubrication of the following:
  - Front and rear axle hub assembly bearings.
  - All transmission cases, gears and differentials.
  - Motor—clean with an aerosol motor cleaner and re-oil the bushings with lightweight motor oil.

## BOX CONTENTS

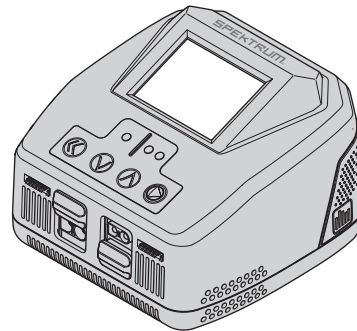
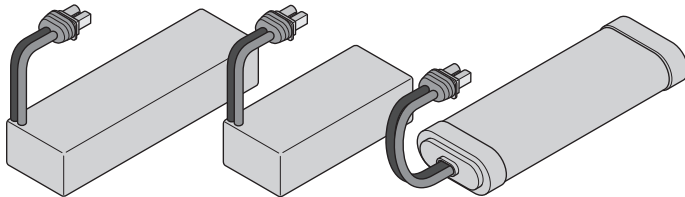
- Spektrum™ SLT3 3-Channel 2.4GHz Transmitter (SPMRSLT380)
  - (4) AA Alkaline Batteries
- Axial® SCX10™ III Jeep® CJ-7 1/10 Scale 4X4 Brushed Rock Crawler RTR
  - Axial Slickrock 35T 540 Brushed Motor (AXI-1376)
  - Spektrum™ SR515 DSMR 5-Channel Sport Receiver (SPMSR515)
  - Spektrum™ SX108 Promoto Micro Gear Servo (SPMSSX108PM)
  - Spektrum™ S683 Standard Waterproof Metal Gear Servo 25T (SPMS683)
  - Spektrum™ Firma™ 40A Brushed Waterproof ESC, 2S-3S: IC3 (SPMXSE1040)



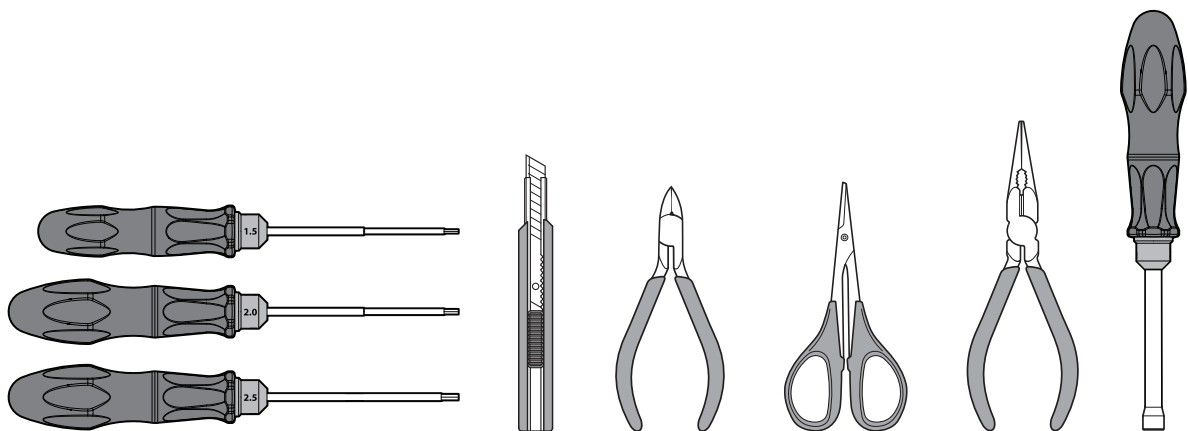
## REQUIRED EQUIPMENT

- 2-3S Standard or "Shorty" LiPo Battery
- OR**
- 5-9 Cell NiMH/NiCd battery (IC3® Connector Required)

- Battery charger compatible with the chosen vehicle battery type



## RECOMMENDED TOOLS



- Hex Drivers (1.5, 2.0, 2.5mm)

- Hobby Knife

- Side Cutter

- Curved Scissors

- Long-Nose Plier

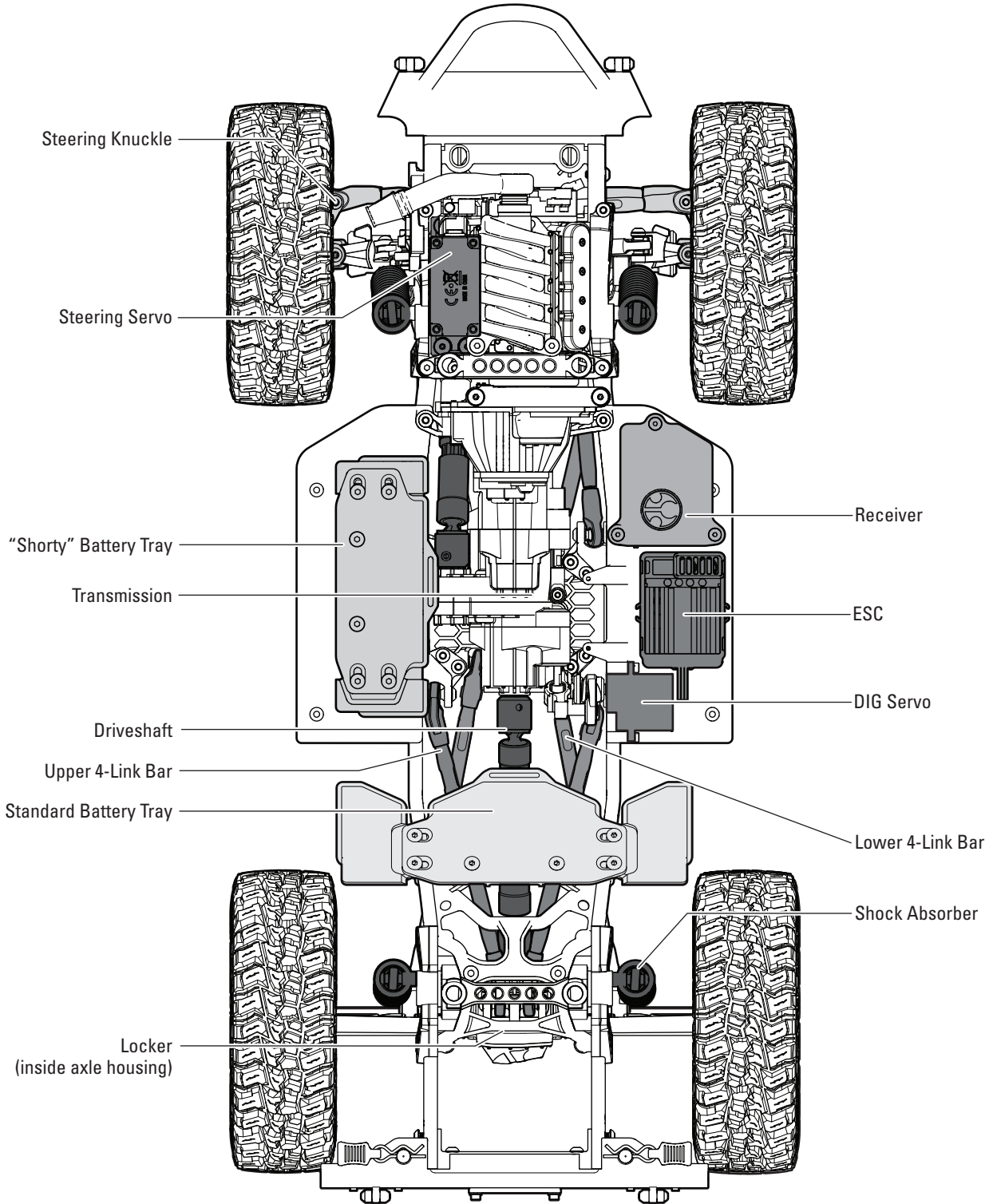
- 7mm Hex Wrench

## GETTING STARTED CHECKLIST

Read the manual.
Familiarize yourself with the vehicle and its components.
Check all screws, especially the driveshaft setscrews, for tightness from the factory.
Charge the vehicle battery.
Install 4 AA batteries in the transmitter.

Power on the transmitter.
Install the vehicle battery in the vehicle.
Check for proper function of the throttle, steering, and DIG.
Range check the radio system.
Drive the vehicle, challenge yourself and have FUN!
Perform any necessary vehicle maintenance.

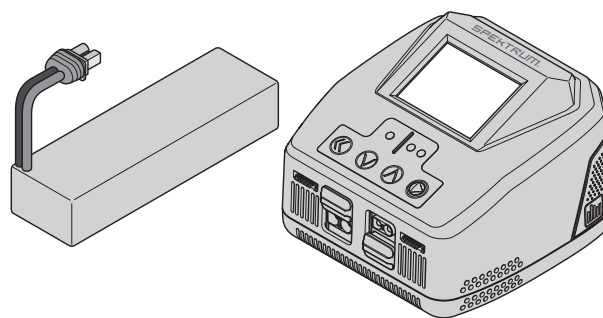
## VEHICLE PARTS



## CHARGE THE VEHICLE BATTERY

Follow the charger manufacturer instructions to properly charge the vehicle battery.

**CAUTION:** Only use chargers designed to charge the chosen battery type. Using an incorrect charger or incorrect charger settings could cause the battery to catch fire or explode.

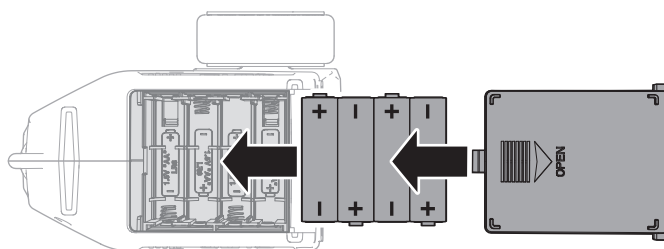


## INSTALL THE TRANSMITTER BATTERIES

This transmitter requires 4 AA batteries.

1. Remove the battery cover from the transmitter.
2. Install the batteries as shown.
3. Install the battery cover.

**CAUTION:** NEVER remove the transmitter batteries while the model is powered on. Loss of model control, damage, or injury may occur.



## TRANSMITTER FUNCTIONS

### SPECIFICATIONS

**Power Supply:** 4 AA Batteries

**Operating Frequency:** 2.4GHz

**Transmit Power:** <100mw

**Control Protocol:** SLT

**Control:** Proportional Steering and Throttle/Brake with Trim Knobs, Third Channel with 3 Position Momentary Switch

**Auxiliary Functions:** 3 Position Throttle Limit Switch, Steering Rate Knob to Change Steering Travel on-the-fly, Programmable Servo Travel for Steering and Throttle/Brake

#### A. Throttle Trim

Adjusts the throttle neutral point.

#### B. Steering Trim

Adjusts the steering center point. Normally, the steering trim is adjusted until the vehicle tracks straight.

#### C. LED

- Solid red lights: Indicates the power is ON and adequate battery power.
- Flashing red lights: Indicates the battery voltage is critically low. Replace batteries

#### D. Steering Wheel

#### E. Throttle/Brake

#### F. Steering Rate

On-The-Fly knob for travel adjustment on the steering

#### G. Channel 3 – A/B Button

3 position momentary switch, middle position is neutral  
Press and hold the "A" button or "B" button to activate the DIG function.

#### H. Throttle Limit

Limits throttle output to 50/75/100%

Select 50% or 75% for less experienced drivers or when you are driving the vehicle in a small area.

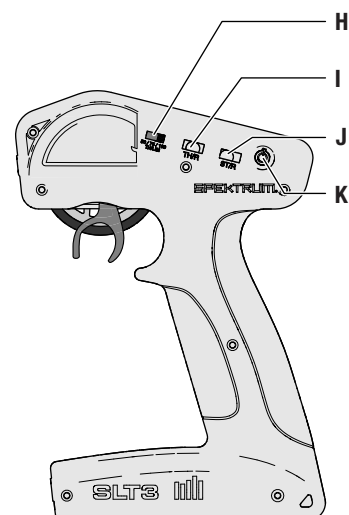
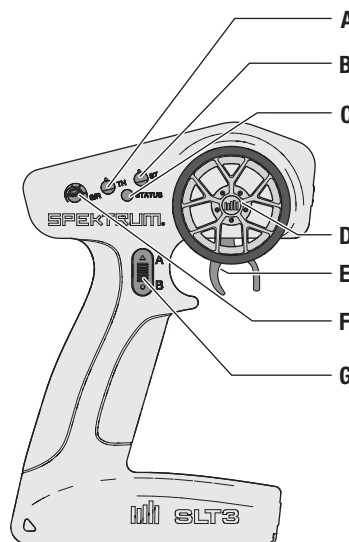
#### I. Throttle (TH) Servo Reversing

Move the switch to reverse the throttle channel

#### J. Steering (ST) Servo Reversing

Move the switch to reverse the steering channel

#### K. Power Button

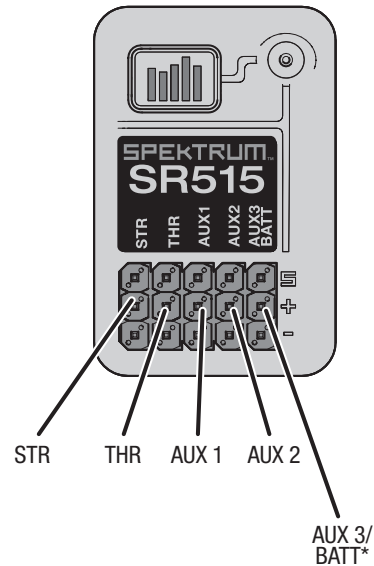


## SPMSR515 DUAL PROTOCOL RECEIVER

### SPECIFICATIONS

Type	Dual Protocol 5-Channel Receiver (SLT/DSMR)
Dimensions (L x W x H)	32.5 x 21.5 x 12.4mm
Antenna Length	120mm
Channels	5
Weight	6g
Band	2.4GHz
Voltage Range	3.5–9.6V
Bind Type	Button

**\*IMPORTANT:** AUX 3 on the SR515 shares the servo port with the battery. A Y-harness (SPMA3008) is required on the AUX 3 port to use all 5 channels with a receiver battery.

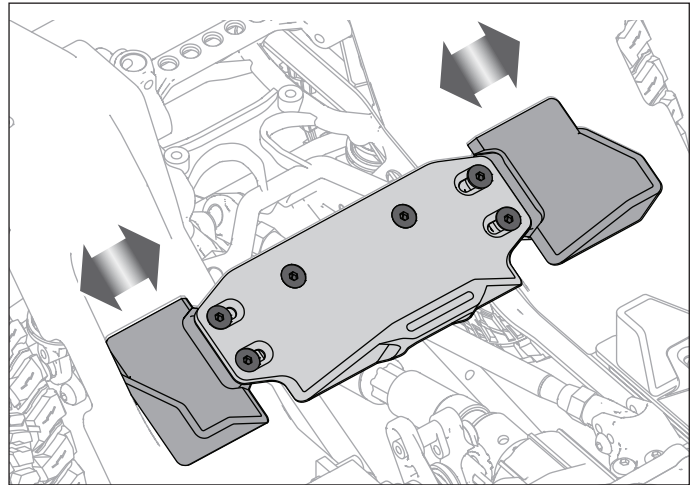


## ADJUSTING THE VEHICLE BATTERY TRAY

The battery trays may be adjusted to fit a wide range of battery sizes. The rear battery tray is shown in the illustration. The side battery tray is adjustable in the same manner.

To adjust the battery tray:

1. Loosen the four flathead screws shown in the illustration.
2. Slide the ends of the battery tray in or out to fit the desired battery.
3. Tighten the four flathead screws. Do not over-tighten the screws.



## DIG PROGRAMMING PROCEDURE

The vehicle includes a DIG transmission which allows the rear axle to lock while allowing the front wheels to spin. Use this feature in close quarters to turn the vehicle tighter than is possible with normal 4 wheel drive or to preload the suspension when needed.

To enter programming mode:

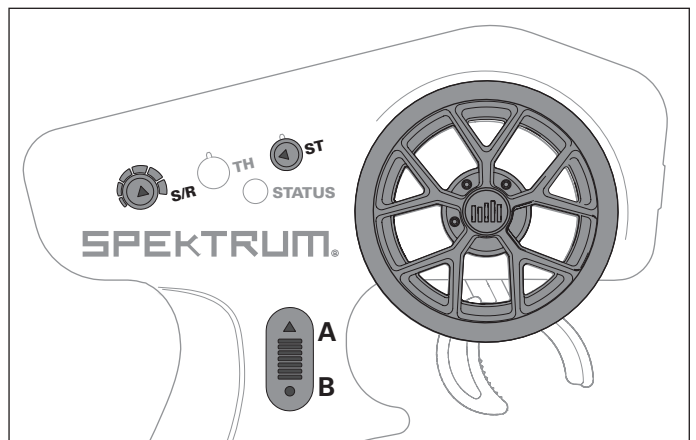
1. Hold the transmitter trigger at full forward and the transmitter steering wheel full left. Power ON the transmitter.
2. Release the transmitter trigger and steering wheel. The status light will blink every 2 seconds indicating AUX1/DIG programming mode.

To adjust normal 4WD end points:

1. Use the transmitter steering trim knob to set 4WD position. The dig shifting linkage pushes into the transmission.

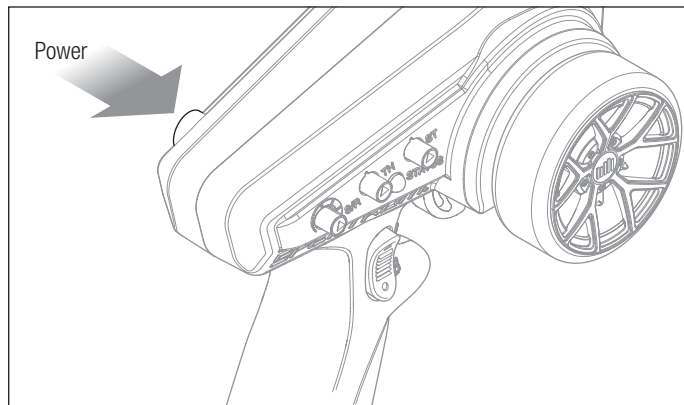
To adjust the DIG end point value:

1. In programming mode, hold down the A or B button.
2. Use the steering rate knob to adjust the end point. The end point is set correctly when the front wheels rotate and the rear wheels are locked.
3. Power OFF the vehicle and transmitter.
4. Reset the steering rate and trim to the default positions.
5. Power ON the transmitter and the vehicle.

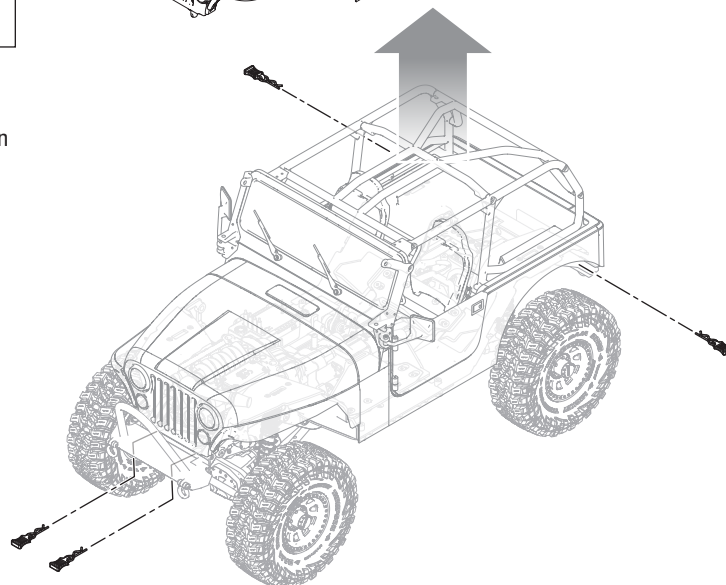
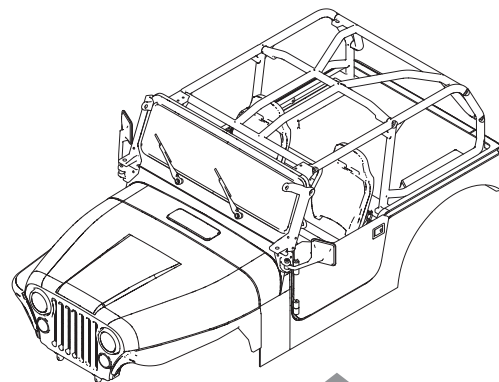
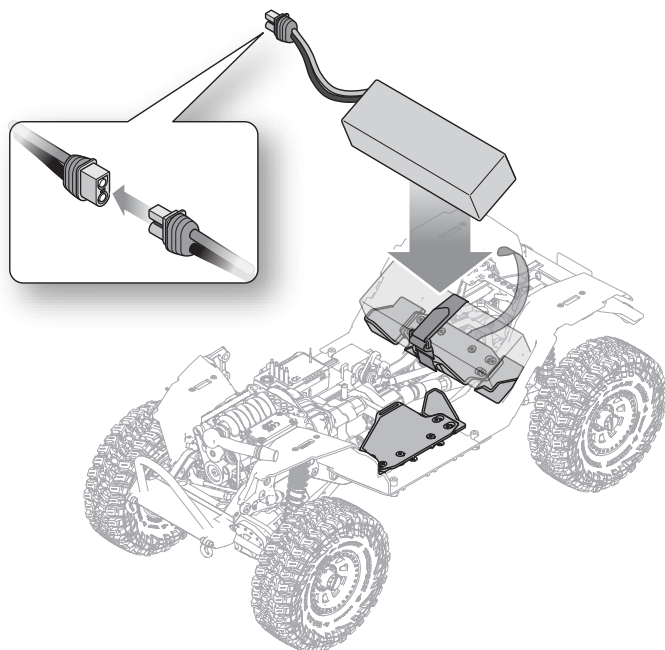


## INSTALL THE VEHICLE BATTERY

The following steps show the installation of a standard-size battery in the vehicle's rear battery tray. When using a "shorty"-style battery, install it in the side battery tray.



1. Power ON the transmitter.
2. Remove the four body clips from the body.
3. Gently lift the body from the chassis to preserve the wires that run from the headlight and taillights to the ESC.
4. Place the battery in the battery tray. Adjust the length of the battery tray to fit the battery (see Adjusting the Vehicle Battery Tray).
5. Secure the battery to the tray with the hook and loop strap.



6. Connect the battery to the ESC.
7. Re-install the body and four body clips to the chassis.

**NOTICE:** Always disconnect the battery from the ESC before powering off the transmitter. Loss of vehicle control may result.

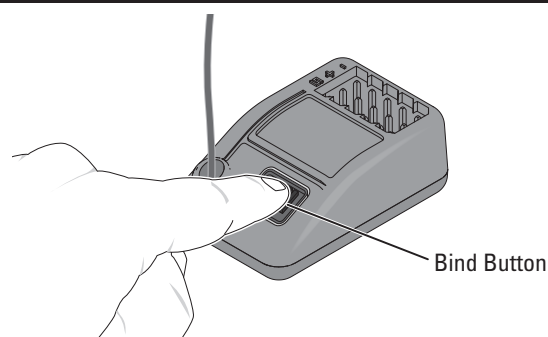
## BINDING

Binding is the process of programming the receiver to recognize the GUID (Globally Unique Identifier) code of a single specific transmitter.

1. Power ON the receiver.
2. Press the bind button three times quickly (within 1.5 seconds of the first button press).  
The LED flashes with a pause.
3. Set the trims and control positions at the desired failsafe settings, and power ON the SLT3 transmitter.
4. When the SLT3 transmitter LED and the receiver LED remain lit, binding is complete.

You must rebind when:

- Different failsafe positions are desired (e.g., when throttle or steering reversing has changed).
- Binding the receiver to a different transmitter.



## RANGE-CHECKING THE RADIO SYSTEM

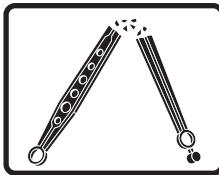
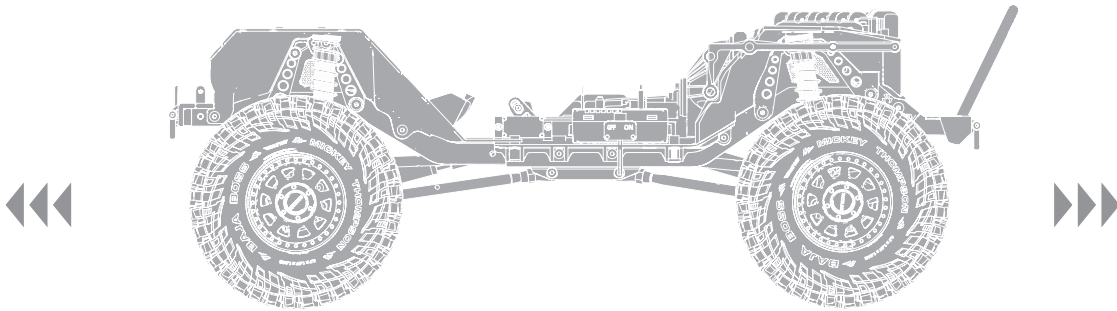
Before operating the vehicle, check the radio system to ensure proper operation and adequate range.

1. Turn ON the transmitter.
2. Connect the battery in the vehicle.
3. Have a friend hold the vehicle, and keep hands and loose clothing away from moving parts.
4. Walk away from the vehicle to the maximum planned operating distance.
5. Turn the steering wheel side to side, and operate the throttle, both forward and reverse, checking for any erratic behavior.
6. If any erratic behavior is exhibited, DO NOT operate the vehicle. Call customer service for assistance.

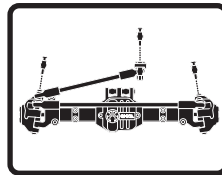


## VEHICLE MAINTENANCE

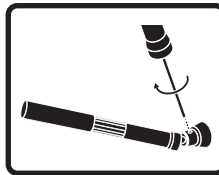
Just like a full-sized car or truck, your RC vehicle must undergo periodic maintenance to ensure peak performance. Preventative maintenance will help avoid needless breakage, which can result in costly repairs. Follow these maintenance suggestions.



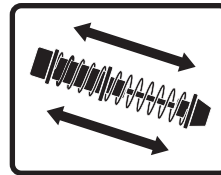
Replace any noticeable bent or broken parts



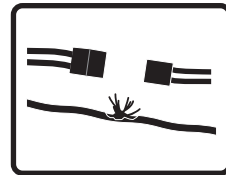
Check for wear on the ball joints in the steering and suspension links (replace if necessary)



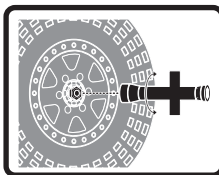
Check the driveshaft set screws and apply thread locking compound when necessary



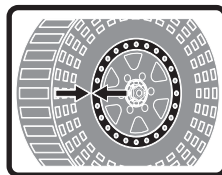
Inspect the shock absorbers for smooth dampened operation



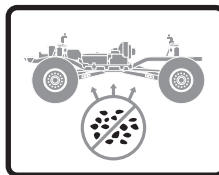
Check for any loose connections or frayed wiring



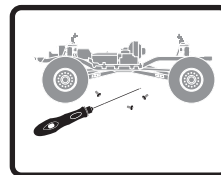
Check the wheel nuts for tightness



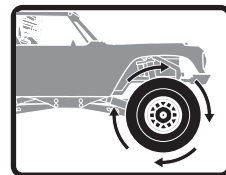
Ensure the wheel beads are still firmly bonded around the entire circumference of the rim



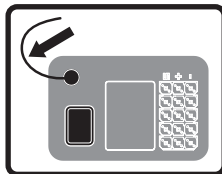
Keep the chassis free of dirt and debris



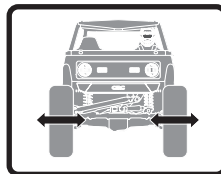
Check for loose screws on the chassis, especially the knuckle, C-hub and axle lockout screws



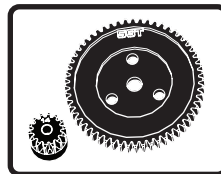
Check the driveline for smooth, bind-free operation



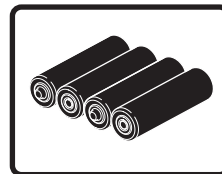
Check the receiver antenna for damage



Check the steering operation for any binding

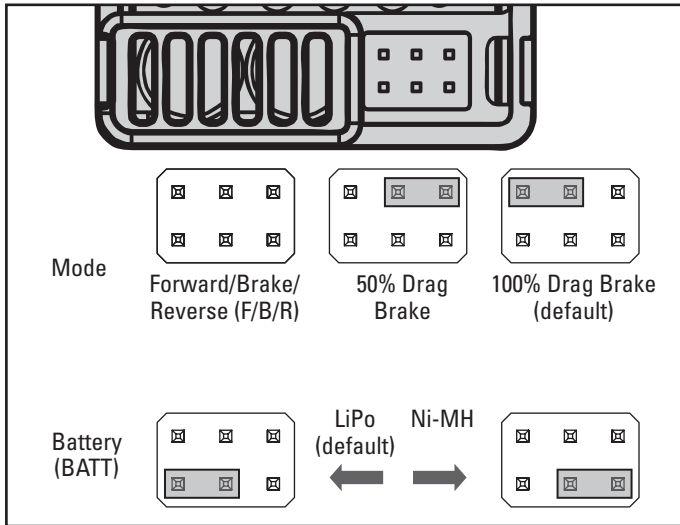
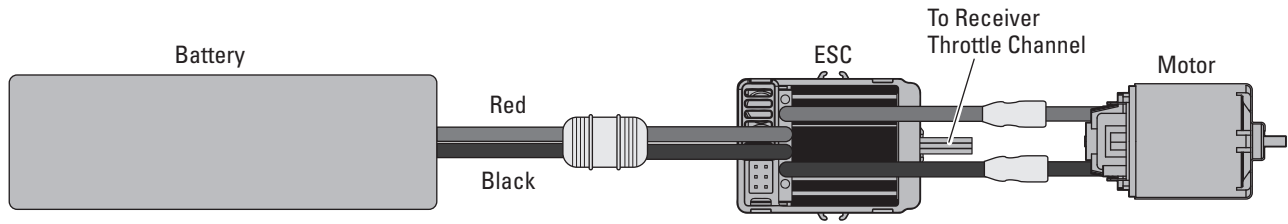


Inspect the spur and pinion gears for damage



Replace the transmitter batteries when indicated by the transmitter, as described in the Transmitter Functions section

# FIRMA 40A BRUSHED ESC



SPECIFICATIONS	
Type	Brushed
Constant/Peak	40A/180A
Resistance	0.002 Ohms
Function	Forward/Brake/Reverse, Forward/Brake, Forward/Reverse (Crawler Mode)
Vehicle Type	1/10 on-road and off-road; 1/10 rock crawler
Operation	Proportional forward, proportional reverse with braking delay, Crawler Mode
Battery Type/ Input Voltage	2-3 cell LiPo/Li-Fe; 5-9 cell Ni-MH/Ni-Cd
Motor Type	2S LiPo down to 12T; 3S LiPo down to 18T
BEC Output	6V/3A
Dimensions	46.5mm x 34mm x 28.5mm (1.8 x 1.3 x 1.1 in)
Weight	70g (2.5 oz)
Battery Connector	IC3™

## SETUP

The throttle is calibrated with the included transmitter at the factory. To calibrate the ESC and a different transmitter, follow these steps:

1. Mount the ESC in a well-ventilated area free from vibration and shock.
2. Connect the ESC motor wires to the motor (red-to-red and black-to-black).
3. Connect the ESC throttle wire to the receiver throttle channel.
4. Before plugging the battery into the ESC, verify the transmitter is ON and the throttle trim is set to zero.
5. Connect the battery to the ESC. When the battery is connected, the vehicle powers ON.

**CAUTION:** Keep all body parts and loose clothing away from any moving parts while the battery is connected to the ESC.

**CAUTION:** Always connect the ESC to a proper power source that has the correct voltage and polarity. Incorrect voltages or reversed polarity will damage the ESC. Damage to the ESC caused by improper voltage or polarity is not covered under warranty.

6. Use the transmitter to test forward and reverse control.

SOUND INDICATOR	
OPERATION	SOUND
Ni-MH/Ni-CD Battery	1 Short Beep
2S LiPo Battery	2 Short Beeps
3S LiPo Battery	3 Short Beeps
ESC Ready	1 Long Beep

## TO CALIBRATE THE ESC

1. Power ON the transmitter, and set the throttle control to neutral.
2. Connect the battery to the ESC. Wait 3 seconds to allow the ESC to initiate a self-test and automatic throttle calibration.

A long beep sounds to indicate the ESC is rcalibrated.

3. Disconnect the battery when the vehicle is not in use.

**IMPORTANT:** The LiPo cut-off is set to "ON" and the drag brake is set to 100% from the factory.

# GEAR RATIOS

SPUR/PINION GEAR RATIO CHART - LCX 2 SPEED TRANSMISSION							
	12	13	14 (stock)	15	16	17	18
Standard Axle Low Gear	47.2	43.57	41.71	37.76	35.4	33.32	31.47
Standard Axle High Gear	32.33	29.85	27.71	25.87	24.25	22.82	21.56
Portal Axle Low Gear	53.23	49.14	45.63	42.59	39.93	37.58	30.48
Portal Axle High Gear	36.47	33.66	31.26	29.17	27.35	25.4	24.31

# TROUBLESHOOTING

PROBLEM	POSSIBLE CAUSE	SOLUTION
The system will not connect	Your transmitter and receiver are too close together	Move transmitter 8–12 feet away from receiver
	You are near metal objects	Move to an area with less metal
	The receiver is bound to a different model memory	Make sure the correct model memory is active in your transmitter
	Your transmitter was placed into bind mode and is no longer bound to your receiver	Rebind your transmitter and receiver, and then re-calibrate
The receiver goes into failsafe a short distance away from the transmitter	Check for damage on the receiver antenna	Make sure your receiver antenna is protected and located as high as practical
		Replace the receiver or contact Horizon Product Support
The receiver stops responding during operation	Low receiver battery voltage. If the battery voltage is low, it may drop below 3.5V momentarily, causing the receiver to brown-out, then reconnect	Charge the receiver or vehicle battery. Spektrum receivers require at least 3.5V to operate
	Loose or damaged wires or connectors between battery and receiver	Check the wires and connection between the battery and receiver. Repair or replace wires and/or connectors
Vehicle does not move	Batteries are not installed properly in the transmitter	Ensure the transmitter batteries are properly installed
	Weak or no battery in the vehicle	Install a freshly charged vehicle battery
	Damaged motor	Replace the motor
	Frayed or broken wiring	Replace any damaged wiring
	ESC is shut down by heat protection circuit	Allow the ESC to cool down completely
Loss of vehicle control	Improper antenna placement	Ensure the transmitter antenna is not blocked and the receiver antenna is located properly
	Weak or no batteries in the transmitter or vehicle	Install a freshly charged vehicle battery and new transmitter batteries
	Neutral or trim position is incorrect	Adjust the steering trim
	Receiver and/or battery not connected properly	Check all receiver and battery connections
Steering and/or throttle function is reversed	Servo travel is reversed at the transmitter	Set the transmitter servo reversing switch to the correct position
	Motor wires are not connected properly	Check all motor wires for correct polarity and secure connection
ESC ON – No motor function, audible tone or LED	Battery/connection issue	Recharge/replace battery. Secure all connections
	Damaged ESC	Repair/replace ESC
	Damaged motor	Repair/replace
Motor – Stops and LED blinks	Low voltage protection	When the ESC LED blinks, recharge/replace battery
	Overheat protection	When the LED blinks, let motor/ESC cool, change set up or gearing to avoid overheating
Motor – Accelerates irregularly	Battery issue	Repair damaged wiring/replace battery
	Incorrect gearing	Adjust/replace gearing
	Worn or damaged motor	Repair/replace motor
Motor – Does not turn continuously in response to throttle	ESC/motor damaged	Repair/replace wiring or motor/ESC
Motor – Slows but will not stop	Incorrect transmitter/ESC calibration	Adjust throttle travel/other throttle settings on the transmitter/ESC. Repeat the ESC Calibration Procedure
Steering servo – Operates; motor does not run	Damaged motor	Test the motor apart from the vehicle system, repair/replace motor as needed
	Incorrect transmitter/ESC calibration	Adjust throttle travel/other throttle settings on the transmitter/ESC. Repeat the ESC Calibration Procedure
Steering/motor – Not functioning	Low battery voltage	Recharge/replace
	Wrong model memory selected on transmitter	Select correct model settings on your transmitter, refer to transmitter and/or receiver manual
	Receiver not bound to transmitter	Bind transmitter to receiver, refer to transmitter and/or receiver manual
Vehicle – Does not operate at full speed	Battery issue	Recharge/replace
	Incorrect transmitter/ESC calibration	Adjust throttle travel/other throttle settings on the transmitter/ESC. Repeat the ESC Calibration Procedure

## LIMITED WARRANTY

### What this Warranty Covers

Horizon Hobby, LLC, (Horizon) warrants to the original purchaser that the product purchased (the "Product") will be free from defects in materials and workmanship for a period of 2 years from the date of purchase.

### What is Not Covered

This warranty is not transferable and does not cover (i) cosmetic damage, (ii) damage due to acts of God, accident, misuse, abuse, negligence, commercial use, or due to improper use, installation, operation or maintenance, (iii) modification of or to any part of the Product, (iv) attempted service by anyone other than a Horizon Hobby authorized service center, (v) Product not purchased from an authorized Horizon dealer, or (vi) Product not compliant with applicable technical regulations or (vii) use that violates any applicable laws, rules, or regulations.

OTHER THAN THE EXPRESS WARRANTY ABOVE, HORIZON MAKES NO OTHER WARRANTY OR REPRESENTATION, AND HEREBY DISCLAIMS ANY AND ALL IMPLIED WARRANTIES, INCLUDING, WITHOUT LIMITATION, THE IMPLIED WARRANTIES OF NON-INFRINGEMENT, MERCHANTABILITY AND FITNESS FOR A PARTICULAR PURPOSE. THE PURCHASER ACKNOWLEDGES THAT THEY ALONE HAVE DETERMINED THAT THE PRODUCT WILL SUITABLY MEET THE REQUIREMENTS OF THE PURCHASER'S INTENDED USE.

### Purchaser's Remedy

Horizon's sole obligation and purchaser's sole and exclusive remedy shall be that Horizon will, at its option, either (i) service, or (ii) replace, any Product determined by Horizon to be defective. Horizon reserves the right to inspect any and all Product(s) involved in a warranty claim. Service or replacement decisions are at the sole discretion of Horizon. Proof of purchase is required for all warranty claims. SERVICE OR REPLACEMENT AS PROVIDED UNDER THIS WARRANTY IS THE PURCHASER'S SOLE AND EXCLUSIVE REMEDY.

### Limitation of Liability

HORIZON SHALL NOT BE LIABLE FOR SPECIAL, INDIRECT, INCIDENTAL OR CONSEQUENTIAL DAMAGES, LOSS OF PROFITS OR PRODUCTION OR COMMERCIAL LOSS IN ANY WAY, REGARDLESS OF WHETHER SUCH CLAIM IS BASED IN CONTRACT, WARRANTY, TORT, NEGLIGENCE, STRICT LIABILITY OR ANY OTHER THEORY OF LIABILITY, EVEN IF HORIZON HAS BEEN ADVISED OF THE POSSIBILITY OF SUCH DAMAGES. Further, in no event shall the liability of Horizon exceed the individual price of the Product on which liability is asserted. As Horizon has no control over use, setup, final assembly, modification or misuse, no liability shall be assumed nor accepted for any resulting damage or injury. By the act of use, setup or assembly, the user accepts all resulting liability. If you as the purchaser or user are not prepared to accept the liability associated with the use of the Product, purchaser is advised to return the Product immediately in new and unused condition to the place of purchase.

### Law

These terms are governed by Illinois law (without regard to conflict of law principals). This warranty gives you specific legal rights, and you may also have other rights which vary from state to state. Horizon reserves the right to change or modify this warranty at any time without notice.

### WARRANTY SERVICES

#### Questions, Assistance, and Services

Your local hobby store and/or place of purchase cannot provide warranty support or service. Once assembly, setup or use of the Product has been started, you must contact your local distributor or Horizon directly. This will enable Horizon to better answer your questions and service you in the event that you may need any assistance. For questions

or assistance, please visit our website at [www.horizonhobby.com](http://www.horizonhobby.com), submit a Product Support Inquiry, or call the toll free telephone number referenced in the Warranty and Service Contact Information section to speak with a Product Support representative.

### Inspection or Services

If this Product needs to be inspected or serviced and is compliant in the country you live and use the Product in, please use the Horizon Online Service Request submission process found on our website or call Horizon to obtain a Return Merchandise Authorization (RMA) number. Pack the Product securely using a shipping carton. Please note that original boxes may be included, but are not designed to withstand the rigors of shipping without additional protection. Ship via a carrier that provides tracking and insurance for lost or damaged parcels, as Horizon is not responsible for merchandise until it arrives and is accepted at our facility. An Online Service Request is available at [http://www.horizonhobby.com/content/service-center\\_render-service-center](http://www.horizonhobby.com/content/service-center_render-service-center). If you do not have internet access, please contact Horizon Product Support to obtain a RMA number along with instructions for submitting your product for service. When calling Horizon, you will be asked to provide your complete name, street address, email address and phone number where you can be reached during business hours. When sending product into Horizon, please include your RMA number, a list of the included items, and a brief summary of the problem. A copy of your original sales receipt must be included for warranty consideration. Be sure your name, address, and RMA number are clearly written on the outside of the shipping carton.

**NOTICE:** Do not ship Li-Po batteries to Horizon. If you have any issue with a Li-Po battery, please contact the appropriate Horizon Product Support office.

### Warranty Requirements

For Warranty consideration, you must include your original sales receipt verifying the proof-of-purchase date. Provided warranty conditions have been met, your Product will be serviced or replaced free of charge. Service or replacement decisions are at the sole discretion of Horizon.

### Non-Warranty Service

Should your service not be covered by warranty, service will be completed and payment will be required without notification or estimate of the expense unless the expense exceeds 50% of the retail purchase cost. By submitting the item for service you are agreeing to payment of the service without notification. Service estimates are available upon request. You must include this request with your item submitted for service. Non-warranty service estimates will be billed a minimum of 1/2 hour of labor. In addition you will be billed for return freight. Horizon accepts money orders and cashier's checks, as well as Visa, MasterCard, American Express, and Discover cards. By submitting any item to Horizon for service, you are agreeing to Horizon's Terms and Conditions found on our website [http://www.horizonhobby.com/content/service-center\\_render-service-center](http://www.horizonhobby.com/content/service-center_render-service-center).

**ATTENTION:** Horizon service is limited to Product compliant in the country of use and ownership. If received, a non-compliant Product will not be serviced. Further, the sender will be responsible for arranging return shipment of the un-serviced Product, through a carrier of the sender's choice and at the sender's expense. Horizon will hold non-compliant Product for a period of 60 days from notification, after which it will be discarded.

10/15

## WARRANTY AND SERVICE CONTACT INFORMATION

COUNTRY OF PURCHASE	HORIZON HOBBY	CONTACT INFORMATION	ADDRESS
United States of America	Horizon Service Center (Repairs and Repair Requests)	<a href="http://servicecenter.horizonhobby.com/RequestForm/">servicecenter.horizonhobby.com/RequestForm/</a>	2904 Research Rd Champaign, IL 61822
	Horizon Product Support (Product Technical Assistance)	<a href="mailto:productsupport@horizonhobby.com">productsupport@horizonhobby.com</a> 877-504-0233	
	Sales	<a href="mailto:websales@horizonhobby.com">websales@horizonhobby.com</a> 800-338-4639	
European Union	Horizon Technischer Service	<a href="mailto:service@horizonhobby.eu">service@horizonhobby.eu</a>	Hanskampring 9 D 22885 Barsbüttel, Germany
	Sales: Horizon Hobby GmbH	+49 (0) 4121 2655 100	

## FCC INFORMATION

FCC ID: BRWSPMSLT300

FCC ID: BRWSRIRVINGV1

### SUPPLIER'S DECLARATION OF CONFORMITY

**Axial SCX10 III Jeep® CJ-7 1/10 Scale 4X4 Brushed Rock Crawler RTR (AXI03008V2)**

**FC** This device complies with part 15 of the FCC Rules. Operation is subject to the following two conditions: (1) This device may not cause harmful interference, and (2) this device must accept any interference received, including interference that may cause undesired operation.

**⚠ CAUTION:** changes or modifications not expressly approved by the party responsible for compliance could void the user's authority to operate the equipment.

**NOTE:** This equipment has been tested and found to comply with the limits for a Class B digital device, pursuant to part 15 of the FCC Rules. These limits are designed to provide reasonable protection against harmful interference in a residential installation. This equipment generates, uses and can radiate radio frequency energy and, if not

installed and used in accordance with the instructions, may cause harmful interference to radio communications. However, there is no guarantee that interference will not occur in a particular installation. If this equipment does cause harmful interference to radio or television reception, which can be determined by turning the equipment off and on, the user is encouraged to try to correct the interference by one or more of the following measures:

- Reorient or relocate the receiving antenna.
- Increase the separation between the equipment and receiver.
- Connect the equipment into an outlet on a circuit different from that to which the receiver is connected.
- Consult the dealer or an experienced radio/TV technician for help.

Horizon Hobby, LLC  
2904 Research Rd.,  
Champaign, IL 61822  
Email: [compliance@horizonhobby.com](mailto:compliance@horizonhobby.com)  
Web: [HorizonHobby.com](http://HorizonHobby.com)

## IC INFORMATION

CAN ICES-3 (B)/NMB-3(B)

IC: 6157A-SPMSLT300

IC: 6157A-SRIRVINGV1

This device contains license-exempt transmitter(s)/receiver(s) that comply with Innovation, Science, and Economic Development Canada's license-exempt RSS(s). Operation is subject to the following 2 conditions:

1. This device may not cause interference.
2. This device must accept any interference, including interference that may cause undesired operation of the device.

## COMPLIANCE INFORMATION FOR THE EUROPEAN UNION

**CE** **EU COMPLIANCE STATEMENT:**  
**Axial SCX10 III Jeep® CJ-7 1/10 Scale 4X4 Brushed Rock Crawler RTR (AXI03008V2)**

Hereby, Horizon Hobby, LLC declares that the device is in compliance with the following: EU Radio Equipment Directive 2014/53/EU; RoHS 2 Directive 2011/65/EU; RoHS 3 Directive - Amending 2011/65/EU Annex II 2015/863.

The full text of the EU declaration of conformity is available at the following internet address: <https://www.horizonhobby.com/content/support-render-compliance>.

**NOTE:** This product contains batteries that are covered under the 2006/66/EC European Directive, which cannot be disposed of with normal household waste. Please follow local regulations.

### Wireless Frequency Range and Wireless Output Power

#### Transmitter

2403.0 - 2480.0 MHz

16.3 dBm

#### Receiver

2404-2476 MHz

-1.33dBm

### EU Manufacturer of Record:

Horizon Hobby, LLC  
2904 Research Road  
Champaign, IL 61822 USA

### EU Importer of Record:

Horizon Hobby, GmbH  
Hanskampring 9  
22885 Barsbüttel Germany

### WEEE NOTICE:



This appliance is labeled in accordance with European Directive 2012/19/EU concerning waste of electrical and electronic equipment (WEEE). This label indicates that this product should not be disposed of with household waste. It should be deposited at an appropriate facility to enable recovery and recycling.







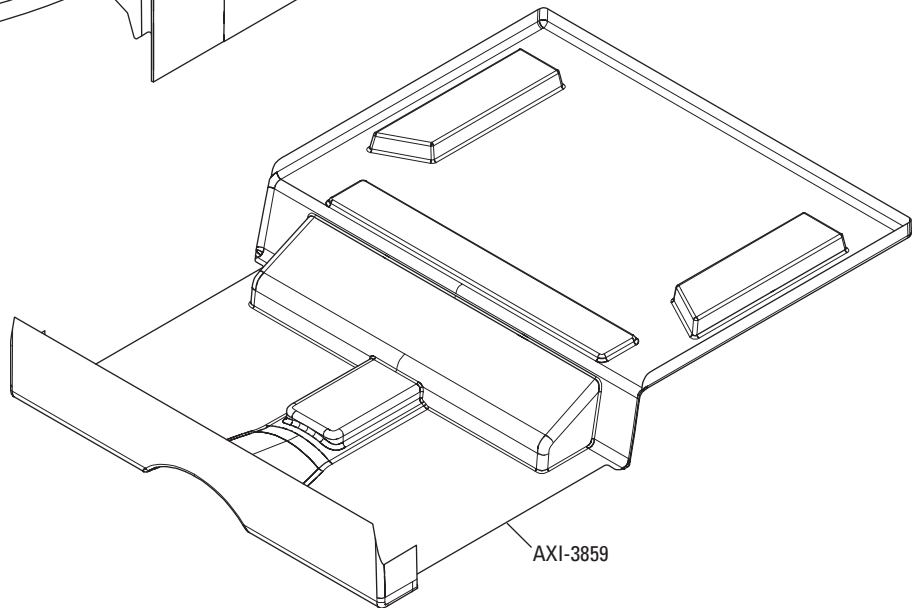
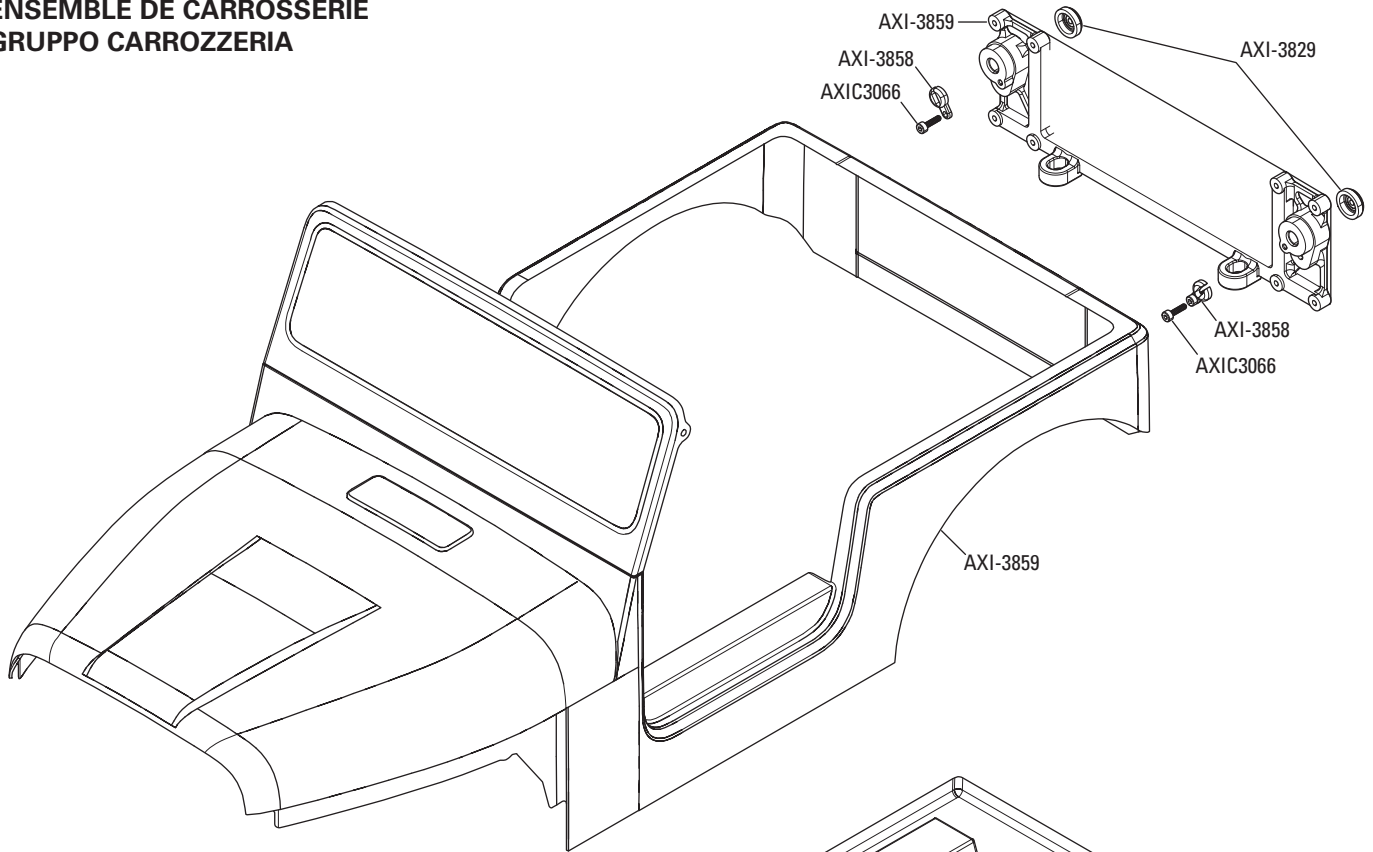




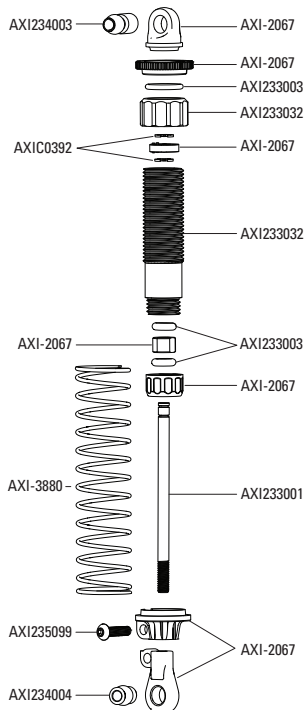


**EXPLODED VIEWS // EXPLOSIONSZEICHNUNGEN // VUES ÉCLATÉES // VISTE ESPLOSE**

**BODY ASSEMBLY  
KAROSSERIEMONTAGE  
ENSEMBLE DE CARROSSERIE  
GRUPPO CARROZZERIA**

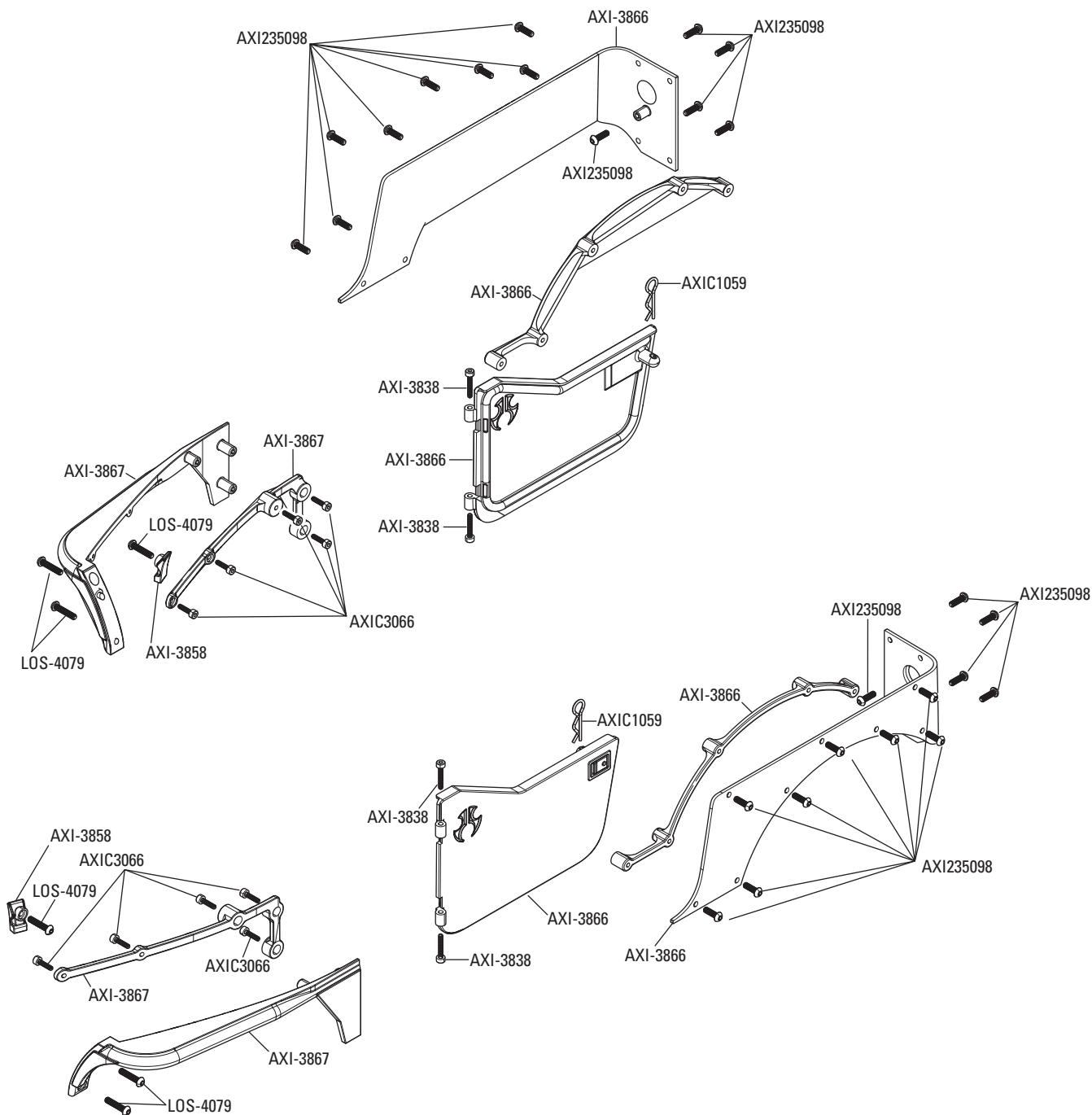


**SHOCK ABSORBERS  
STOSSDÄMPFER  
AMORTISSEURS  
AMMORTIZZATORI**



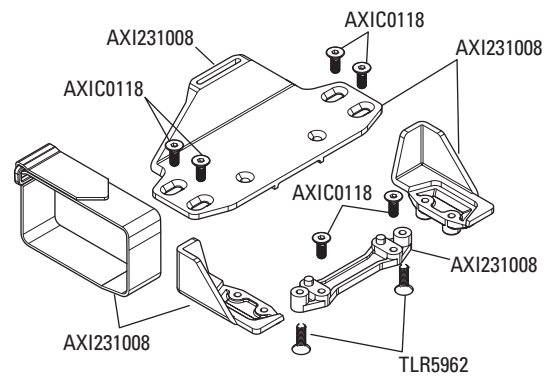
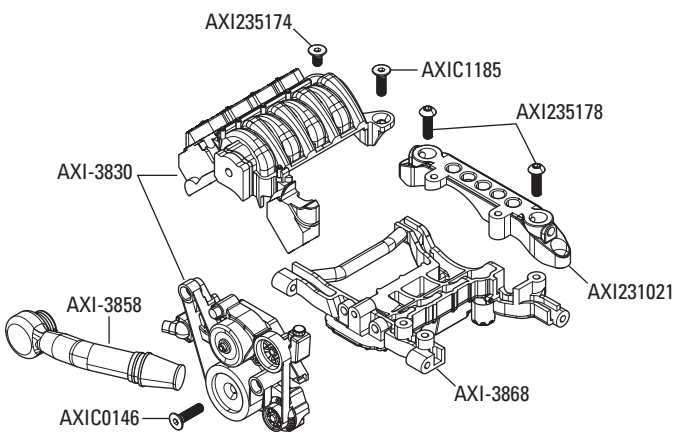
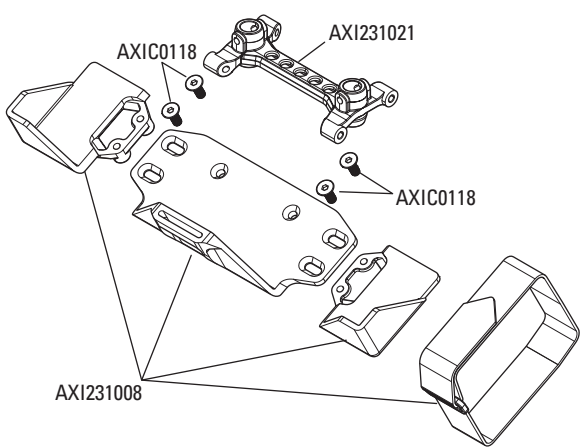
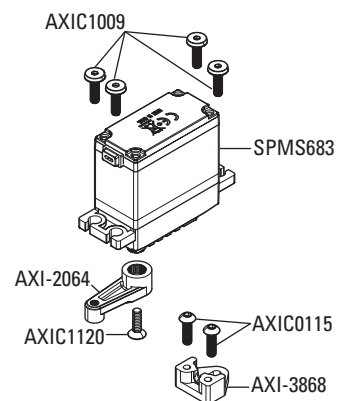
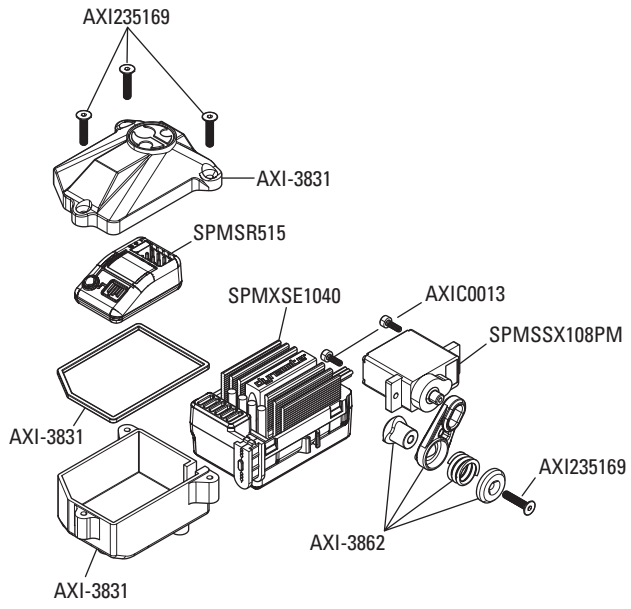
**EXPLODED VIEWS // EXPLOSIONSZEICHNUNGEN // VUES ÉCLATÉES // VISTE ESPLOSE**

**BODY ASSEMBLY  
KAROSSERIEMONTAGE  
ENSEMBLE DE CARROSSERIE  
GRUPPO CARROZZERIA**



**EXPLODED VIEWS // EXPLOSIONSZEICHNUNGEN // VUES ÉCLATÉES // VISTE ESPLOSE**

**BODY ASSEMBLY  
KAROSSERIEMONTAGE  
ENSEMBLE DE CARROSSERIE  
GRUPPO CARROZZERIA**





# PARTS LISTS // TEILELISTEN // LISTE DES PIÈCES // ELENCO COMPONENTI

Part #	Description	Beschreibung	Description	Descrizione
AXI-1376	35-T 540 Brushed Motor	540-Bürstenmotor mit 35-T	Moteur à balais 35-T 540	Motore a spazzole 35T 540
AXI-2064	Servo Horn, Metal 25T	Servo-Horn, Metall 25T	Renvoi de commande de servo, métallique 25T	Squadretta servo, metallo 25T
AXI-2065	HD Rod Ends M4 (20)	HD Stangenkopf M4 (20)	Embouts de bielle HD M4 (20)	Teste a snodo HD M4 (20)
AXI-3474	Axial LED Light Set, 5mm (2 White, 2 Orange, 2 Red)	Axiale LED-Leuchten 5mm (2 x weiß, 2 x orange, 2 x rot)	Ensemble de témoins DEL Axial 5 mm (2 blancs, 2 oranges, 2 rouges)	Set luci LED Axial, 5 mm (2 bianche, 2 arancioni, 2 rosse)
AXI-3492	F/R Link Set	F/R-Verbindungssatz	Ensemble de liens A/A	Set leveraggi Av./Ind.
AXI-3829	Headlight, Taillight Lens Set	Frontscheinwerfer, Rückleuchten, Linsenset	Jeu de lentilles de phares et de feux arrière	Set di lenti per fari e fanali
AXI-3830	Motor Cover	Motorabdeckung	Capot du moteur	Coperchio motore
AXI-3831	Radio Box Set, V2	Funkbox-Satz, V2	Coffret radio, V2	Set Box Radio, V2
AXI-3832	Bumper Set Front, Rear	Stoßstangensatz Front/Heck	Ensemble de pare-chocs avant, arrière	Set paraurti anteriore e posteriore
AXI-3833	HD Rod Ends M4 (20)	HD Stangenkopf M4 (20)	Embouts de bielle HD M4 (20)	Teste a snodo HD M4 (20)
AXI-3834	AR45 Universal Axle Set (2)	AR45 Universalachsensatz (2)	Ensemble essieu universel AR45 (2)	Set assali universali AR45 (2)
AXI-3835	Rock Slider, L/R	Rock-Schieber, L/R	Bas de caisse, G/D	Rock Slider, SX/DX
AXI-3836	Spring, 13 x 70mm, 1.28lbs/in, Red, Soft (2)	Feder, 13 x 70mm, 1,28lbs/in, rot, weich (2)	Ressort, 13 x 70 mm, 1,28 lb/po, rouge, souple (2)	Molla, 13 x 70 mm, 1,28 lb/in, Rosso, Morbide (2)
AXI-3837	M3 Nut, Thin, Black (10)	M3-Mutter, dünn, schwarz (10)	Écrou M3, fin, noir (10)	Dado M3, Sottile, Nero (10)
AXI-3838	Flat Head Screw M2 x 12mm (10)	Flachkopfschraube, M2 x 12 mm (10)	Vis à tête plate M2 x 12 mm (10)	Viti a testa svasata, M2x12 mm (10)
AXI-3839	AR45 Straight Axle Set (2)	AR45P gerader Achsensatz (2)	Ensemble essieu droit AR45 (2)	Set assali dritti AR45 (2)
AXI-3858	Body Details, Interior/Exterior	Karosseriedetails, Innen/Außen	Détails de carrosserie, intérieur/extérieur	Dettagli carrozzeria, interni/esterni
AXI-3859	Cage Set	Käfigsatz	Ensemble cage	Set gabbia
AXI-3860	40T Metal Spur Gear	40T Metall-Stirnrad	roue droite cylindrique en métal 40T	Corona metallo 40T
AXI-3861	Grille, Chrome	Kühlergrill, Chrom	Calandre, chromée	Griglia, cromata
AXI-3862	Dig 2-Speed Arm & Shaft Set	2-Geschwindigkeiten Dig-Querlenker- und Wellensatz	Ensemble bras et arbre Dig 2 vitesses	Set braccio e albero 2 velocità DIG
AXI-3863	1.9 Mickey Thompson Baja Boss M/T 4.7 R35 Tires (2)	1.9 Mickey Thompson Baja Boss M/T 4.7 R35-Reifen(2)	Pneus 1,9 Mickey Thompson Baja Boss M/T 4,7 R35 (2)	Ruote 1.9 Mickey Thompson Baja Boss M/T 4.7 R35 (2)
AXI-3864	Jeep, CJ-7 Body Set, Clear	Jeep, CJ-7 Karosseriesatz, farblos	Ensemble de carrosserie Jeep, CJ-7, transparente	Set carrozzeria Jeep, CJ-7, trasparente
AXI-3865	Motor Mount Plate	Motorhalterungsplatte	Plaque support du moteur	Piastra supporto motore
AXI-3866	Doors, Corners, Hinges	Türen, Ecken, Scharniere	Portes, coins, charnières	Porte, Angoli, Cerniere
AXI-3867	Front Left & Right and Inner Fenders	Schutzblech vorne links und rechts sowie innen	Garde-boue avant gauche et droit, et garde-boue intérieur	Parafanghi anteriori sinistro e destro e interni
AXI-3868	Steering Mount Chassis Brace	Lenkungshalterung Karosseriestrebe	Support de carrosserie pour le support de direction	Rinforzo punto di fissaggio sterzo sul telaio
AXI-3869	Side Plates & Chassis Brace	Seitenplatten und Karosseriestrebe	Plaques latérales et renfort de châssis	Piastre laterali e rinforzo del telaio
AXI-3870	Slipper Pad Plates	Gleitkissen-Platten	Plaques de sabot de piston	Piastre slipper pad
AXI-3871	Cog Set & Plate for Dig 2-Speed	Cog-Satz und -Platte für Dig 2-Geschwindigkeiten	Jeu de pignons et plateau pour Dig 2 vitesses	Set ingranaggi e piastra per DIG a 2 velocità
AXI-3872	1.9 Raceline Daytona Beadlock Wheels, Black (2)	1.9 Raceline Daytona Beadlock-Räder, schwarz (2)	Roues 1,9 à verrou de talon Raceline Daytona, noires (2)	Cerchi 1.9 Raceline Daytona Beadlock, Neri (2)
AXI-3873	Center Transmission Skid Plate	Getriebe Gleitbrett Mitte	Plaque de protection pour transmission centrale	Piastra proteggi trasmissione
AXI-3874	Upper Center Link Mounts	Obere Gestänge-Halterungen Mitte	supports du bras central supérieur	Supporti braccetti superiori centrali
AXI-3875	Pin M2.5 x 8mm (6)	Stift M2,5 x 8mm (6)	Mèche M2,5 X 8mm (6)	Perni 2,5x8 mm (6)
AXI-3876	Metal Internal Drive Gears	Interne Antriebszahnäder aus Metall	Engrenages d'entraînement internes en métal	Ingranaggi trasmissione interni in metallo
AXI-3877	Transfer Case Metal Gears	Transfergehäuse Metall-Zahnäder	Engrenages métalliques de boîte de transfert	Ingranaggi in metallo scatola di trasferimento
AXI-3878	1.9 Raceline Daytona Beadlock Wheels, Chrome (2)	1.9 Raceline Daytona Beadlock-Räder, Chrom (2)	Roues 1,9 à verrou de talon Raceline Daytona, chromées (2)	Cerchi 1.9 Raceline Daytona Beadlock, Cromati (2)
AXI-3879	Metal Input Gears 20T, 27T & 34T	Metall-Eingangszahnäder 20T, 27T & 34T	Engrenages d'entrée en métal 20T, 27T et 34T	Ingranaggi di ingresso in metallo 20T, 27T e 34T
AXI-3880	Spring, 13 x 70mm, 2.0lbs/in, Yellow (2)	Feder, 13 x 70mm, 2,0lbs/in, gelb (2)	Ressort, 13 x 70 mm, 2,0 lb/po, Jaune (2)	Molle, 13x70 mm, 2.0 lb/in; Giallo (2)
AXI-3881	Spring, 13 x 70mm, 0.72lbs/in, Purple, Extra Soft (2)	Feder, 13 x 70mm 0,72lbs/in, Lila Extra Weich (2)	Ressort, 13 x 70 mm, 0,72 lb/po, violet extra-souple (2)	Molle, 13x70 mm, 0,72 lb/in, Viola, extra morbide (2)
AXI-3882	Panhard Bar and Links, Standard	Panhardstab und Stangen, Standard	Barre Panhard et tringleries, standard	Barra Panhard e braccetti, standard

**PARTS LISTS // TEILELISTEN // LISTE DES PIÈCES // ELENCO COMPONENTI**

Part #	Description	Beschreibung	Description	Descrizione
AXI-3883	Steering Links, Stainless Steel	Spurstangen, Edelstahl	Tringleries de direction en acier inoxydable	Braccetti sterzo, acciaio inox
AXI-3884	Button Head Screw M2.5 x 14mm (10)	Rundkopfschraube, M2,5 x 14 mm (10)	Vis à tête bombée, M2,5 x 14 mm (10)	Vite a testa tonda M2.5x14 mm (10)
AXI-3885	Spring, 13 x 70mm, 2.4lbs/in, Green, Hard (2)	Feder, 13 x 70mm, 2,4lbs/in, grün, hart (2)	Ressort, 13 x 70 mm, 2,4 lb/po, vert, dur (2)	Molle, 13x70 mm, 2.4 lb/in, Verde, Dure (2)
AXI-3886	Links, Stainless Steel M6 x 106mm (2)	Edelstahlglieder M6 x 106mm (2)	Liaisons en acier inoxydable M6 x 106 mm (2)	Braccetti acciaio inox M6x106 mm (2)
AXI-3887	AR45 Steering Knuckle, L/R	AR45 Lenkrolle, L/R	Rotule de direction AR45, G/D	Fusi a snodo AR45, SX/DX
AXI-3888	Transmission Housing Set	Getriebegehäusesatz	Ensemble boîte de transmission	Set alloggiamento trasmissione
AXI-3889	AR45 Axle Housing w/Diff Cover, Rear	AR45 Achsgehäuse mit Differentialabdeckung, Heck	Carter d'essieu AR45 avec cache de différentiel, arrière	Alloggiamento assale AR45 con carter differenziale, posteriore
AXI-3890	AR45 Axle Housing w/Diff Cover, Front	AR45 Achsgehäuse mit Differentialabdeckung, Front	Carter d'essieu AR45 avec cache de différentiel, avant	Alloggiamento assale AR45 con carter differenziale, anteriore
AXI-3891	AR45 C-Hub, L/R	AR45 C-Nabe, L/R	Moyeu de support AR45, G/D	Portafuso a C AR45 SX/DX
AXI-3980	Servo Horn, Metal 23T	Servo-Horn, Metall 23T	Renvoi de commande de servo, métallique 23T	Squadretta servo, metallo 23T
AXI231008	Battery Tray Sets & Strap	Akkualterung, Sätze und Band	Ensembles sangles et supports de batterie	Set vaschetta batteria e fascetta
AXI231015	Frame Rail Set	Rahmenschienensatz	Ensemble longeron de cadre de châssis	Set longeroni telaio
AXI231017	Shock Towers & Panhard Mounts, FR/RR	Stoßdämpferbrücke und Panhard-Halterungen, FR/RR	Tours d'amortisseurs et montages Panhard, avant/arrière	Torri ammortizzatori e supporti Panhard, anteriore/posteriore
AXI231021	Upper Shock Tower Braces	Obere Stoßdämpferbrücke Halterungen	Supports de tour d'amortisseur supérieurs	Rinforzi superiori torre ammortizzatore
AXI231046	Panhard Mount, Sintered Metal	Panhard-Halterung, Sintermetall	Montage Panhard, métal fritté	Supporto Panhard, metallo sinterizzato
AXI232002	AR44 6-Bolt Differential Locker	AR44 6-Schrauben-Differenzial-Sicherung	Blocage différentiel à 6 boulons AR44	Blocco differenziale 6 bulloni AR44
AXI232003	6 Bolt Heavy Duty Gear Set	6-Schrauben-Schwerlast-Zahnradatz	Ensemble d'engrenages haute résistance à 6 boulons	Set ingranaggio impieghi gravosi 6 bulloni
AXI232017	WB Driveshaft Set	HD-Antriebswellensatz, WB	Ensemble de l'arbre de transmission WB	Set albero trasmissione WB
AXI232018	Hex Screw Shaft & Spacer 12mm (4)	Sechskant-Gewindeschaft und Abstandhalter 12mm (4)	Tige de vis hexagonale 12 mm et entretoise (4)	Distanziali e perni a vite esagonale 12 mm (4)
AXI232035	Transmission Shaft Set	Getriebewellensatz	Ensemble d'arbre de transmission	Set albero trasmissione
AXI233003	Shock O-Ring Set	O-Ring-Satz für den Stoßdämpfer	Ensemble joint torique d'amortisseur	Set O-ring ammortizzatori
AXI233031	Shock Parts, Composite	Stoßdämpferteile, Verbundwerkstoff	Composites des pièces de l'amortisseur	Parti ammortizzatori, composito
AXI233032	Aluminum Shock Body, 11 x 39.5mm	Aluminium-Dämpferkörper, 11 x 39,5mm	Corps d'amortisseurs en aluminium, 11 x 39,5 mm	Corpo ammortizzatore in alluminio, 11 x 39,5 mm
AXI234003	Pivot Ball, Stainless Steel 12.75mm (4)	Kugelzapfen, Edelstahl 12,75mm (4)	Rotule, acier inoxydable 12,75 mm (4)	Pivot ball, acciaio inox, 12,75 mm (4)
AXI234004	Suspension Pivot Ball, Stainless Steel 7.5mm (10)	Kugelzapfen für Federung, Edelstahl 7,5 mm (10)	Rotule de suspension, acier inoxydable 7,5 mm (10)	Pivot ball sospensioni, acciaio inox 7,5 mm (10)
AXI235098	Button Head Screw M2.5 x 8mm (10)	Rundkopfschraube, M2,5 x 8mm (10)	Vis à tête bombée M2,5 x 8 mm (10)	Viti a testa tonda M2.5x8 mm (10)
AXI235099	Button Head Screw M2.5 x 10mm (10)	Rundkopfschraube, M2,5 x 10mm (10)	Vis à tête bombée M2,5 x 10 mm (10)	Viti a testa tonda M2.5x10 mm (10)
AXI235102	Button Head Screw M2.5 x 18mm (10)	Rundkopfschraube, M2,5 x 18mm (10)	Vis à tête bombée M2,5 x 18 mm (10)	Viti a testa tonda M2.5x18 mm (10)
AXI235109	Button Head Screw M3 x 14mm (10)	Rundkopfschraube, M3 x 14mm (10)	Vis à tête bombée M3 x 14 mm (10)	Viti a testa tonda, M3x14 mm (10)
AXI235110	Button Head Screw M3 x 16mm (10)	Rundkopfschraube, M3 x 16mm (10)	Vis à tête bombée M3 x 16 mm (10)	Viti a testa tonda, M3x16 mm (10)
AXI235169	Flat Head Screw M2.5 x 12mm (10)	Flachkopfschraube M2,5 x 12mm (10)	Vis à tête plate M2,5 x 12 mm (10)	Viti a testa svasata, M2.5x12 mm (10)
AXI235174	Flat Head Screw M3 x 6mm (10)	Flachkopfschraube, M3 x 6mm (10)	Vis à tête plate M3 x 6 mm (10)	Viti a testa svasata, M3x6 mm (10)
AXI235178	Flat Head Screw M3 x 14mm (10)	Flachkopfschraube, M3 x 14mm (10)	Vis à tête plate M3 x 14 mm (10)	Viti a testa svasata, M3x14 mm (10)
AXI236172	Screw Shaft M3 x 2.0 x 12mm	Schraube Welle M3 x 2.0 x 12mm	Tige de vis M3 x 2,0 x 12 mm	Albero a vite M3 x 2,0 x 12 mm
AXI236173	Pin M2.5 x 8mm (6)	Stift M2,5 x 8mm (6)	Mèche M2,5 X 8mm (6)	Perni 2,5x8 mm (6)
AXI237003	Ball Bearing 4mm x 8mm x 3mm (2)	Kugellager 4mm x 8mm x 3mm (2)	Roulement à billes 4 mm x 8 mm x 3 mm (2)	Cuscinetto a sfera 4x8x3 mm (2)
AXIC0005	Hex Socket Button Head M3 x 6mm, Black (10)	Sechskant-Rundkopfschraube, M3 x 6mm, Schwarz (10)	Vis à tête bombée creuse hexagonale, M3 x 6 mm, noire (10)	Viti a testa bombata cava esagonale M3x6 mm, Nero (10)
AXIC0012	Hex Socket Button Head M3 x 25mm, Black (10)	Sechskant-Rundkopfschraube, M3 x 25mm, Schwarz (10)	Vis à tête bombée creuse hexagonale, M3 x 25 mm, noire (10)	Vite a testa bombata cava esagonale M3x25 mm, Nero (10)
AXIC0013	Cap Head Screw M2 x 6mm, Black Oxide (10)	Inbusschraube, M3 x 6mm, Schwarzoxid (10)	Vis d'assemblage creuse, M2 x 6 mm, oxyde noir (10)	Viti a testa cilindrica M2x6 mm, Nero Ossido (10)

**PARTS LISTS // TEILELISTEN // LISTE DES PIÈCES // ELENCO COMPONENTI**

Part #	Description	Beschreibung	Description	Descrizione
AXIC0015	Cap Head Screw M2 x 10mm, Black Oxide (10)	Inbusschrauben, M2 x 10mm, Schwarzoxid (10)	Vis d'assemblage creuse, M2 x 10 mm, oxyde noir (10)	Viti a testa cilindrica M2x10 mm, Nero Ossido (10)
AXIC0016	Cap Head Screw M2 x 12mm, Black Oxide (10)	Inbusschrauben, M2 x 12mm, Schwarzoxid (10)	Vis d'assemblage creuse, M2 x 12 mm, oxyde noir (10)	Viti a testa cilindrica M2x12 mm, Nero Ossido (10)
AXIC0114	Hex Socket Button Head Screw 3 x 8mm (10)	Sechskant-Rundkopfschraube 3 x 8mm (10)	Vis à tête bombée creuse hexagonale 3 x 8 mm (10)	Viti a testa bombata cava esagonale 3x8 mm (10)
AXIC0115	Hex Socket Button Head M3 x 10mm, Black (10)	Sechskant-Rundkopfschraube, M3 x 10mm, Schwarz (10)	Vis à tête bombée creuse hexagonale, M3 x 10 mm, noire (10)	Viti a testa bombata cava esagonale M3x10 mm, Nero (10)
AXIC0116	Hex Socket Button Head M3 x 12mm, Black (10)	Sechskant-Rundkopfschraube, M3 x 12mm, Schwarz (10)	Vis à tête bombée creuse hexagonale, M3 x 12 mm, noire (10)	Viti a testa bombata cava esagonale M3x12 mm, Nero (10)
AXIC0118	Hex Flat Head M3 x 8mm, Black (10)	Sechskant-Flachkopfschrauben, M3 x 8mm, Schwarz (10)	Vis à tête plate hexagonale, M3 x 8 mm, noires (10)	Viti a testa svasata esagonali M3x8 mm, Nero (10)
AXIC0146	Hex Socket Flat Head M3 x 12mm, Black (10)	Sechskant-Flachkopfschrauben, M3 x 12mm, Schwarz (10)	Vis à tête plate creuse hexagonale M3 x 12 mm, noire (10)	Viti a testa svasata cava esagonale M3x12 mm, Nero (10)
AXIC0147	Hex Socket Flat Head M3 x 16mm, Black (10)	Sechskant-Flachkopfschrauben, M3 x 16mm, Schwarz (10)	Vis à tête plate creuse hexagonale M3 x 16 mm, noire (10)	Viti a testa svasata cava esagonale M3x16 mm, Nero (10)
AXIC0149	Hex Socket Flat Head M3 x 20mm, Black (10)	Sechskant-Flachkopfschrauben, M3 x 20mm, Schwarz (10)	Vis à tête plate creuse hexagonale M3 x 20 mm, noire (10)	Viti a testa svasata cava esagonale M3x20 mm, Nero (10)
AXIC0218	Bearing 5 x 10 x 4mm (2)	Lager 5 x 10 x 4mm (2)	Roulement 5 x 10 x 4 mm (2)	Cuscinetti a sfera 5x10x4 mm (2)
AXIC0221	Bearing 5 x 11 x 4mm (2)	Lager 5 x 11 x 4mm (2)	Roulement 5 x 11 x 4 mm (2)	Cuscinetti a sfera 5x11x4 mm (2)
AXIC0230	Bearing 10 x 15 x 4mm	Lager 10 x 15 x 4mm	Roulement 10 x 15 x 4 mm	Cuscinetto a sfera 10x15x4 mm
AXIC0291	Set Screw M4 x 4mm, Black Oxide (6)	Stellschraube, M4 x 4mm Schwarzoxid (6)	Vis de fixation M4 x 4 mm, oxyde noir (6)	Viti di arresto M4x4 mm, Nero Ossido (6)
AXIC0392	E-Clip E2 (10)	E-Clip E2 (10)	Attache en E E2 (10)	E-Clip E2 (10)
AXIC0725	Pinion Gear 32P 14T Steel 3mm Motor Shaft	Zahnradgetriebe 32P 14T Stahl 3mm Motorwelle	Arbre de moteur à engrenages à pignons en acier 32P 14T de 3 mm	Pignone 32P 14T in acciaio per albero motore da 3 mm
AXIC1009	Hex Socket Oversize Head 3 x 10mm (10)	Sechskant-Zylinderkopf in Übergröße, 3 x 10mm (10)	Tête surdimensionnée creuse hexagonale 3 x 10 mm (10)	Vite a testa maggiorata con esagono interno 3x10 mm (10)
AXIC1050	Hex Socket Flat Head M3 x 25mm, Black Oxide (10)	Sechskant-Flachkopfschrauben, M3 x 25mm, Schwarzoxid (10)	Vis à tête plate creuse hexagonale M3 x 25 mm, oxyde noir (10)	Viti a testa svasata cava esagonale M3x25 mm, Nero Ossido (10)
AXIC1040	Thin Hex Nut M3, Black (10)	Dünne Sechskantmutter M3, schwarz (10)	Écrou hexagonal fin M3, noir (10)	Dado esagonale sottile M3, nero (10)
AXIC1120	Hex Socket Flat Head Screw 3 x 10mm (10)	Sechskant-Flachkopfschraube 3 x 10mm (10)	Vis à tête plate creuse hexagonale 3 x 10 mm (10)	Viti a testa svasata cava esagonale 3x10 mm (10)
AXIC1148	WB8-HD Driveshaft Coupler Set Yeti	WB8-HD-Antriebswellenkupplungsset Yeti	Ensemble de couplage d'arbre de transmission Yeti WB8-HD	Set accoppiamento albero trasmissione WB8-HD Yeti
AXIC1180	Hex Socket Button Head M3 x 18mm (10)	Sechskant-Rundkopfschraube, M3 x 18mm (10)	Vis à tête bombée creuse hexagonale, M3 x 18 mm (10)	Viti a testa bombata cava esagonale M3x18 mm (10)
AXIC1181	Hex Socket Button Head M3 x 20mm (10)	Sechskant-Rundkopfschraube, M3 x 20mm (10)	Vis à tête bombée creuse hexagonale, M3 x 20 mm (10)	Viti a testa bombata cava esagonale M3x20 mm (10)
AXIC1185	Hex Socket Flat Head M3 x 10mm (10)	Sechskant-Flachkopfschraube, M3 x 10mm (10)	Vis à tête plate creuse hexagonale M3 x 10 mm (10)	Viti a testa svasata cava esagonale M3x10 mm (10)
AXIC1195	Hex Socket Button Head 2,6 x 12mm (10)	Sechskant-Rundkopfschraube, 2,6 x 12mm (10)	Vis à tête bombée creuse hexagonale 2,6 x 12 mm (10)	Viti a testa bombata cava esagonale 2.6x12 mm (10)
AXIC1243	Bearing 15 x 21 x 4mm (2)	Lager 15 x 21 x 4mm (2)	Roulement 15 x 21 x 4 mm (2)	Cuscinetti a sfera 15x21x4 mm (2)
AXIC1391	E4 E-Clip (10)	E4 E-Clip (10)	Attache en E E4 (10)	E4 E-Clip (10)
AXIC3066	Cap Head Screw M2 x 8mm, Black (10)	Inbusschrauben M2 x 8mm Schwarz (10)	Vis d'assemblage creuse, M2 x 8 mm, noire (10)	Viti a testa cilindrica M2x8 mm, Nero (10)
AXIC3150	Serrated Nylon Lock Nut 4mm, Black (10)	Nylon-Feststellflanschmutter, 4mm, Schwarz (10)	Contre-écrou en nylon strié 4 mm (10)	Dado di bloccaggio in nylon zigrinato 4 mm, Nero (10)
AXIC4403	Hex Button Head Shoulder Screw M3 x 4 x 10mm (6)	Rundkopfschraube, M3 x 4 x 10mm (6)	Vis à épaulement à six pans creuse à tête bombée M3 x 4 x 10 mm (6)	Viti a spalla a testa bombata M3x4x10 mm (6)
AXIC4406	Bearing 7x14x3.5mm (2)	Lager 7 x 14 x 3,5 mm (2)	Roulement 7 x 14 x 3,5 mm (2)	Cuscinetti a sfera 7x14x3,5 mm (2)
AXIC4407	Bearing 5 x 14 x 5mm (2)	Lager 5 x 14 x 5mm (2)	Roulement 5 x 14 x 5 mm (2)	Cuscinetti a sfera 5x14x5 mm (2)
SPMS683	Steel Gear Servo 25T, WP	Stahlgetriebeservo 25T WP	Servo à engrenages en acier 25T, étanche	Servo ingranaggi acciaio 25T WP
SPMRSLT380	SLT3 3CH 2.4Ghz Transmitter Only	SLT3 3CH 2.4Ghz Nur Sender	Émetteur 2,4 Ghz 3 canaux SLT3 uniquement	SLT3 3 CH 2,4 Ghz solo trasmittente
SPMSR515	DSMR 5 CH Receiver	DSMR 5-Kanal-Empfänger	Récepteur DSMR 5 canaux	Ricevitore DSMR 5 CH
SPMXSE1040	Firma 40A Brushed WP ESC: IC3	Firma 40A Bürstengeschwindigkeitsregler WB: IC3	Variateur ESC à balais étanche 40 A Firma : IC3	ESC Firma 40A a spazzole WP: IC3
SPMSSX108PM	Micro Gear Servo Promoto	Mikroservogetriebe Promoto	Micro servo à engrenage Promoto	Servo ingranaggi micro Promoto
TLR5958	Flat Head Screw M2 x 8mm (10)	Flachkopfschraube, M2 x 8mm (10)	Vis à tête plate M2 x 8 mm (10)	Viti a testa svasata M2x8 mm (10)

## OPTIONAL PARTS // OPTIONALE TEILE // PIÈCES FACULTATIVES // PARTI OPZIONALI

Part #	Description	Beschreibung	Description	Descrizione
AXI-1049	Axial Jeep, Heritage Decal Sheet	Axial Jeep, Heritage Abziehbilderbogen	Feuillet d'autocollants Jeep, Heritage Axial	Decalcomanie Axial Jeep, Heritage
AXI13001	Multi-Color LED Rock Lights w/ Controller	Mehrfarbige LED-Geländescheinwerfer mit Steuergerät	Système d'éclairage multicolore à DEL Rock Lights avec contrôleur	Luci LED sottoscocca multicolore con controller
AXI43001	1.9 KMC Machete Wheel, Satin Silver (2)	1.9 KMC Macheten-Rad – Satinsilber (2)	Roues Machete 1,9 po KMC, argent satiné (2)	Cerchi 1.9 KMC Machete, Argento Satinato (2)
AXI43003	1.9 Method MR307 Hole Wheel Satin Silver (2)	1.9 Method MR307 Lochrad Satinsilber (2)	Roue à trous argent satiné MR307 1.9 Method (2)	Cerchi 1.9 Method MR307 Hole, Argento Satinato (2)
AXI43004	1/10 Raceline RT231 Monster SBL Front/Rear 1.55" 12mm Crawler Wheels, Black (2)	1/10 Raceline RT231 Monster SBL Front/Heck 1.55" 12mm Crawler-Räder, Schwarz (2)	Roues Crawler 1,55 po 12 mm avant/arrière Raceline RT231 Monster SBL 1/10, noires (2)	Cerchi 1/10 Raceline RT231 Monster SBL anteriore/posteriore 1.55" 12 mm per Crawler, Neri (2)
AXI43005	1.9 MW19 Beadlock Wheels, Gray (2)	1,9 MW 19 Beadlock-Räder – Grau (2)	Roues 1,9 po avec verrou de talon MW19, grises (2)	Cerchi 1.9 MW19 Beadlock, Grigi (2)
AXI43009	1.9 KMC Machete Beadlock Wheels, Satin (2)	1.9 KMC Machete Beadlock-Räder, Satin (2)	Roues 1,9 po à verrou de talon KMC Machete, satinées (2)	Cerchi 1.9 KMC Machete Beadlock, Satinati (2)
AXI43010	1/10 Nitto Trail Grappler M/T Front/Rear 1.55" Tires (2)	1/10 Nitto Trail Grappler M/T Front/Heck 1,55"-Reifen (2)	Pneus 1,55 po avant/arrière M/T Nitto Trail Grappler 1/10 (2)	Pneumatici 1/10 Nitto Trail Grappler M/T ant./post. 1.55" (2)
AXI43013	1.9 Retro Slot Beadlock Wheels, Satin (2)	1.9 Retro Slot Beadlock-Räder, Satin (2)	Roues 1,9 po à verrou de talon Retro Slot, satinées (2)	Cerchi 1.9 Retro Slot Beadlock, Satinati (2)
AXI43014	1.9 Falken Wildpeak M/T 4.7 R35 Tire w/Insert (2)	1.9 Falken Wildpeak M/T 4.7 R35 Reifen mit Einsatz (2)	Pneus 1,9 po Falken Wildpeak M/T R35 4,7 avec insertions (2)	Pneumatici 1.9 Falken Wildpeak M/T 4.7 R35 con Inserto (2)
AXI43015	Black Rhino Primm 1.9" Wheels, 12mm Hex, Black (2)	Black Rhino Primm 1.9"-Räder, 12mm Sechskant, Schwarz (2)	Roues 1,9 pouce Black Rhino Primm, montées en 12 mm, hexagonal, noires (2)	Cerchi Black Rhino Primm 1.9", Esagono 12 mm, Neri (2)
AXI43016	1.9 Falken Wildpeak M/T 4.19 R35 Tires w/Ins (2)	1.9 Falken Wildpeak M/T 4.19 R35 Reifen mit Einsätzen (2)	Pneus 1,9 po Falken Wildpeak M/T R35 4,19 avec insertions (2)	Pneumatici 1.9 Falken Wildpeak M/T 4.19 R35 con Inserti (2)
AXI230025	Universal Body Post Set	Universal-Gehäusestangensatz	Ensemble poteau de carrosserie universel	Set supporti universali per carrozzeria
AXI230031	SCX10-III LED Light Set (White/Red)	SCX10-III LED-Leuchten-Satz (Weiß/Rot)	Ensemble d'éclairage DEL SCX10-III (blanc/rouge)	Set luci LED SCX10-III (Bianco/Rosso)
AXI231018	Receiver Box	Empfängerbox	Boîtier de récepteur	Scatola ricevitore
AXI232026	AR45 Differential Cover	AR45 Differenzialgehäuse	Couvercle de différentiel AR45	Carte differenziale AR45
AXI233004	Spring 13 x 70mm 0.75lbs/in, Purple (2)	Feder, 13 x 70mm, 0,75lbs/in, lila (2)	Ressort, 13 x 70 mm, 0,75 lb/po, violet (2)	Molle 13x70 mm 0.75 lb/in, Viola (2)
AXI233006	Spring 13 x 70mm 1.16 lbs/in, Red (2)	Feder, 13 x 70mm, 1,16lbs/in, rot (2)	Ressort, 13 x 70 mm, 1,16 lb/po, rouge (2)	Molle 13x70 mm 1.16 lb/in, Rosso (2)
AXI233013	Spring 13 x 62mm .78lbs/in, Purple (2)	Feder 13 x 62mm 0,78lbs/in, lila (2)	Ressort 13 x 62 mm 0,78 lb/po, violet (2)	Molla 13x62 mm 0.78 lb/in, Viola (2)
AXI332001	6-Bolt 27/8 Overdrive Gear Set	6-Schrauben 27/8 Übersteuerungs-Zahnradatz	Ensemble d'engrenage de surmultiplicateur 27/8 à 6 boulons	Set marcia overdrive 27/8 6 bulloni
AXI330002	Tuff Stuff Overland Accessory Pack	Tuff Stuff Zubehörpaket Überland	Pack d'accessoires terrestres Tuff Stuff	Pacchetto accessori Tuff Stuff Overland
AXIC0724	Pinion Gear 32P 13T Steel 3mm Motor Shaft	Zahnradgetriebe 32P 13T Stahl 3mm Motorwelle	Arbre de moteur à engrenages à pignons en acier 32P 13T de 3 mm	Pignone 32P 13T acciaio 3 mm albero motore
AXIC0725	Pinion Gear 32P 14T Steel 3mm Motor Shaft	Zahnradgetriebe 32P 14T Stahl 3mm Motorwelle	Arbre de moteur à engrenages à pignons en acier 32P 14T de 3 mm	Pignone 32P 14T in acciaio per albero motore da 3 mm
AXIC0726	Pinion Gear 32P 15T 3mm	Zahnradgetriebe 32P 15T 3mm	Engrenage à pignons 32P 15T 3 mm	Pignone 32P 15T 3 mm
AXIC0727	Pinion Gear 32P 16T Steel 3mm Motor Shaft	Zahnradgetriebe 32P 16T Stahl 3mm Motorwelle	Arbre de moteur à engrenages à pignons en acier 32P 16T de 3 mm	Pignone 32P 16T in acciaio per albero motore da 3 mm
AXIC1097	3-Port High Output LED Controller	Leistungstarker LED-Controller mit 3 Anschlüssen	Contrôleur DEL 3 ports à puissance élevée	Controllore LED a 3 porte ad alta uscita
AXIC1143	1.9 Falken Wildpeak M/T R35 (2)	1.9 Falken Wildpeak M/T R35 (2)	Pneus 1,9 po Falken Wildpeak M/T R35 (2)	1.9 Falken Wildpeak M/T R35 (2)

## OPTIONAL PARTS // OPTIONALE TEILE // PIÈCES FACULTATIVES // PARTI OPZIONALI

Part #	Description	Beschreibung	Description	Descrizione
AXIC2014	Gate Marker Set Green/Orange (10)	Gate Marker-Set Grün Orange (10)	Ensemble de marqueurs de porte vert/orange (10)	Set di gate marker verdi/arancioni (10)
AXIC2020	1.9 Nitto Trail Grappler M/T R35 Compound (2)	1.9 Nitto Trail Grappler M/T – R35 Compound Reifen (2)	1,9 Nitto Trail Grappler M/T R35 Compound (2)	Pneumatici 1.9 Nitto Trail Grappler M/T R35 Compound (2)
AXIC3070	Universal 5 Bucket Light Bar Set	5-schaliger Universal-Leuchtbalkensatz	Rampe d'éclairage universelle 5 spots	Set di 5 barre luminose universali
AXIC3093	1.9 BF Goodrich Krawler T/A R35 (2)	1.9 BF Goodrich Krawler T/A R35 (2)	1,9 BF Goodrich Krawler T/A R35 (2)	Pneumatici 1.9 BF Goodrich Krawler T/A R35 (2)
AXIC7028	Pinion Gear 32P 17T Steel 3mm Motor Shaft	Zahnradgetriebe 32P 17T Stahl 3mm Motorwelle	Arbre de moteur à engrenages à pignons en acier 32P 17T de 3 mm	Pignone 32P 17T acciaio 3mm albero motore
DYN2834	Startup Tool Set: Metric	Startup-Werkzeugsatz: Metrisch	Ensemble d'outils de démarrage : Métrique	Set attrezzi base: metrico
DYNT1229	7-in-1 1/4 Drive Tool Set w/Handle	7-in-1-Werkzeugsatz 1/4 Antrieb mit Handgriff	Ensemble d'outils 7-en-1 à entraînement 1/4 avec poignée	Set attrezzi 7-in-1 1/4 con manico
DYNT1260	Shock Shaft Pliers/Multi-Tool	Kolbenstangenzange/Multifunktionswerkzeug	Pinces de bras d'amortisseurs/Outil multifonctions	Pinze multiutensili per alberi ammortizzatori
MYKAX23	New Axial CJ-7 Deluxe Light Kit	Neuer Axial CJ-7 Deluxe Leuchtsatz	Nouveau kit d'éclairage Axial CJ-7 Deluxe	Kit luci Axial CJ-7 Deluxe
PRO1013615	Limited Edition BFG Krawler T/A KX G8 1.9" Crawler Tires Mounted 12mm, Bronze Impulse (2)	Limitierte Auflage BFG Krawler T/A KX G8 1.9" Crawler-Reifen montiert 12mm, Bronze Impulse (2)	Pneus Crawler 1,9 po BFG Krawler T/A KX G8 en édition limitée, montés sur jantes 12 mm, Bronze Impulse (2)	Pneumatici Limited Edition BFG Krawler T/A KX G8 1.9" Crawler su cerchi 12 mm bronzati (2)
PRO1021315	Limited Edition Mickey Thompson Baja Pro X G8 1.9" Crawler Tires Mounted 12mm, Bronze Impulse (2)	Limitierte Auflage Mickey Thompson Baja Pro X G8 1.9" Crawler-Reifen montiert 12mm, Bronze Impulse (2)	Pneus Crawler 1,9 po Mickey Thompson Baja Pro X G8 en édition limitée, montés sur jantes 12 mm, Bronze Impulse (2)	Pneumatici Limited Edition Mickey Thompson Baja Pro X G8 1.9" Crawler su cerchi bronzati 12 mm (2)
PRO1025415	Limited Edition Aztek G8 1.9" Crawler Tires Mounted 12mm, Bronze Impulse (2)	Limitierte Auflage Aztek G8 1.9" Crawler-Reifen montiert 12mm, Bronze Impulse (2)	Pneus Crawler 1,9 po Aztek G8 en édition limitée, montés sur jantes 12 mm, Bronze Impulse (2)	Pneumatici Limited Edition Aztek G8 1.9" Crawler su cerchi 12 mm bronzati (2)
SPMSR615	DSMR 6-Channel Water Resistant Receiver	DSMR 6-Kanal-Empfänger, wasserdicht	Récepteur DSMR 6 canaux étanche	Ricevitore DSMR a 6 canali resistente all'acqua
SPMX-1016	UBEC 10A (2-6S)	UBEC 10A (2-6S)	UBEC 10 A (2-6S)	UBEC 10A (2-6S)
SPMXBC200	Smart Battery Checker & Servo Tester	Smart-Akkuprüfer und Servotester	Contrôleur et testeur de servo pour batterie Smart	Tester per servo e batterie smart
SPMXC3040	S450 G2 AC/DC Smart Charger 4 x 50W	S450 G2 AC/DC Smart-Ladegerät 4 x 50W	Chargeur Smart CA/CC G2 S450, 4 x 50 W	Caricabatterie Smart S450 G2 CA/CC, 4 x 50 W
SPMXC3040I	S450 G2 AC/DC Smart Charger 4 x 50W	S450 G2 AC/DC Smart-Ladegerät 4 x 50W	Chargeur Smart CA/CC G2 S450, 4 x 50 W	Caricabatterie Smart S450 G2 CA/CC, 4 x 50 W

## ELECTRONICS // ELEKTRONIK // COMPOSANTS ÉLECTRONIQUES // ELETTRONICA

Part #	Description	Beschreibung	Description	Descrizione
AXI-1376	Axial Slickrock 35T 540 Brushed Motor	540-Bürstenmotor mit 35 Turns	Moteur à balais Slickrock 35T 540 Axial	Motore a spazzole Axial Slickrock 35T 540
SPMRSLT380	SLT3 3-Channel 2.4Ghz SLT Transmitter Only	Nur SLT3 3-Kanal 2.4 Ghz SLT-Sender	Émetteur SLT à 3 canaux 2,4 Ghz SLT3 uniquement	SLT3 3 canali 2,4 Ghz SLT solo trasmittente
SPMS683	S683 Standard Waterproof Metal Gear Servo 25T	683 Standard Wasserdichtes Metallgetriebe Servo 25T	Servo étanche à engrenages métalliques standard 683 25T	Servo 683 impermeabile standard con ingranaggi in metallo 25T
SPMSR515	SR515 DSMR 5-Channel Sport Receiver	Spektrum™ SR515 DSMR Sport-Empfänger mit 5 Kanälen	Récepteur sport DSMR 5 canaux SR515	Ricevitore SR515 DSMR 5 Canali Sport
SPMSSX108PM	SX108PM Promoto Micro Gear Servo	SX108PM Promoto Mikroservogetriebe	Micro servo à engrenage Promoto SX108PM	Servo ingranaggi micro SX108PM Promoto
SPMXSE1040	Firma 40A Brushed Waterproof ESC, 2S-3S: IC3	Firma 40A Bürstenloser, wasserdichter Geschwindigkeitsregler, 2S-3S: IC3	Contrôle de vitesse électronique étanche à balais Firma 40A, 2S-3S : IC3	Firma 40A Brushed Waterproof ESC, 2S-3S: IC3



## We. Build. Adventure.

[facebook.com/axialinc](https://facebook.com/axialinc) | [instagram.com/axialadventure/](https://instagram.com/axialadventure/)  
[twitter.com/axialrc](https://twitter.com/axialrc) | [youtube.com/axialvideos](https://youtube.com/axialvideos)

