

SMART  [®]
T E C H N O L O G Y

 **FIRMA** [™]

MARINE

Spektrum FIRMA Smart ESC Series

Spektrum FIRMA Smart Geschwindigkeitsreglerserie

Série de variateurs ESC Spektrum FIRMA Smart

Smart ESC SPEKTRUM FIRMA

HORIZON  **35**
H O B B Y **YEARS**
—1983—2018—


SPEKTRUM [®]

NOTICE

All instructions, warranties and other collateral documents are subject to change at the sole discretion of Horizon Hobby, LLC. For up-to-date product literature, visit horizonhobby.com or towerhobbies.com and click on the support or resources tab for this product.

Meaning of Special Language

The following terms are used throughout the product literature to indicate various levels of potential harm when operating this product:

WARNING: Procedures, which if not properly followed, create the probability of property damage, collateral damage, and serious injury OR create a high probability of superficial injury.

CAUTION: Procedures, which if not properly followed, create the probability of physical property damage AND a possibility of serious injury.

NOTICE: Procedures, which if not properly followed, create a possibility of physical property damage AND a little or no possibility of injury.



WARNING: Read the ENTIRE instruction manual to become familiar with the features of the product before operating. Failure to operate the product correctly can result in damage to the product, personal property and cause serious injury.

This is a sophisticated hobby product. It must be operated with caution and common sense and requires some basic mechanical ability. Failure to operate this Product in a safe and responsible manner could result in injury or damage to the product or other property. This product is not intended for use by children without direct adult supervision. Do not attempt disassembly, use with incompatible components or augment product in any way without the approval of Horizon Hobby, LLC. This manual contains instructions for safety, operation and maintenance. It is essential to read and follow all the instructions and warnings in the manual, prior to assembly, setup or use, in order to operate correctly and avoid damage or serious injury.

Age Recommendation: Not for children under 14 years. This is not a toy.

NOTICE: This product is only intended for use with unmanned, hobby-grade, remote-controlled vehicles and aircraft. Horizon Hobby disclaims all liability outside of the intended purpose and will not provide warranty service related thereto.

Waterproof Component

Your new Horizon Hobby® Spektrum™ ESC has been designed and built to allow you to operate the product in many “wet conditions”, including puddles, creeks, wet grass, snow and even rain.

While waterproof, this component has not been designed to be immersed in water for long periods of time and should NOT be treated like a submarine. In addition, most metal parts, including any screws and nuts, as well as the contacts in the electrical cables, will be susceptible to corrosion if additional maintenance is not performed after running in wet conditions.

To maximize the long-term performance of your ESC and to keep the warranty intact, it should only be used as described in the “Usage Conditions” section of this manual. Additionally, the procedures described in the “Wet Conditions Maintenance” section must be performed regularly if you choose to run in wet conditions. If you are not willing to perform the additional care and maintenance required, then you should not operate your vehicle in those conditions.



CAUTION: Failure to exercise caution while using this product and comply with the following precautions could result in product malfunction and/or void the warranty.

General Precautions

- Read through the wet conditions maintenance procedures and make sure that you have all the tools you will need to properly maintain your ESC.
- Do not operate your ESC where it could come in contact with salt water (ocean water or water on salt-covered roads), contaminated or polluted water. Salt water is very conductive and highly corrosive, so use caution.

Usage Conditions

Your ESC will operate successfully in any of the following, individual-usage scenarios:

- 2 hours continuous operation in damp grass or vegetation.
- 2 hours continuous operation in heavy fog (95% humidity, saturated air, condensing water).
- 1 hour continuous operation in light rain (<0.10 in/2.5mm per hour).
- 15 minutes continuous operation in heavy rain (>0.30 in/7.6mm per hour).
- 1 hour continuous operation in light sleet (<0.10 in/2.5mm per hour).
- 1 hour continuous operation in light snow (<0.25 in/6.35mm per hour).
- 45 minutes continuous operation in standing or running fresh water (the water level should always remain below the vehicle frame), or constant splashing water, without any immersion of waterproof component(s).
- 5 minutes continuous operation in standing or running fresh water (the water level should never rise higher than 0.5 in (about 10mm) above the vehicle frame), constant splashing water, or frequent, intermittent immersion of waterproof component(s).
- 1 hour continuous operation in damp sand, dirt, mud or snow (the material level should always be below the vehicle frame), constant splatter without any immersion or coverage of waterproof component(s).

Furthermore, when appropriate maintenance procedures (as described below) are performed promptly following exposure, the ESC will remain best protected from corrosion or other long-term, water-related damage.

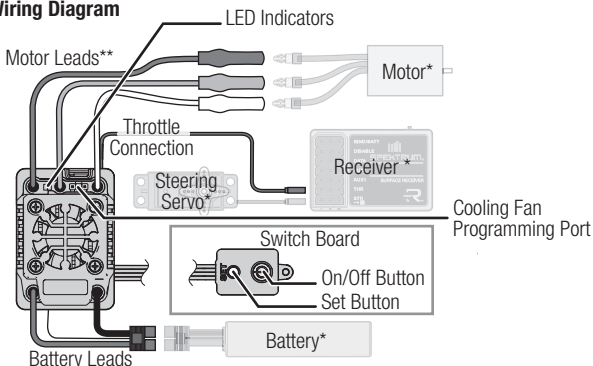
Wet Conditions Maintenance

- Gently rinse the mud and dirt off the ESC with a garden hose.
- Remove the battery pack(s) and dry the contacts.
- If you have an air compressor or a can of compressed air available, blow off the ESC to help remove any water that may have gotten into small crevices or corners. Dry any water that may be inside a recessed connector housing.
- Let the ESC air dry before you store it. Water may continue to seep or evaporate out of tight areas for a few hours.

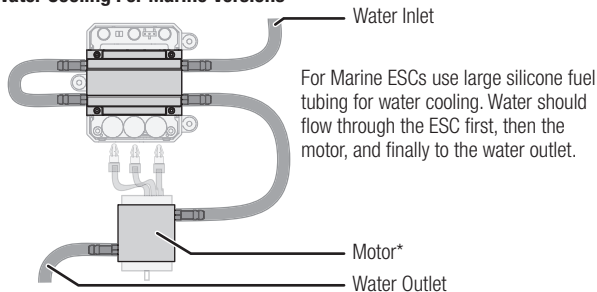
NOTICE: Never use a pressure washer to clean your vehicle.

Spektrum Firma ESCs

Wiring Diagram



Water Cooling For Marine Versions



* Not Included

**Some Firma ESCs feature female bullet connectors directly on the ESC case

Throttle Signal

Smart Throttle:

The Spektrum Firma™ ESC is compatible with Smart Throttle. Smart Throttle combines throttle signals with telemetry data from the ESC on one normal three wire servo connector. Smart Throttle compatible receivers will detect a Smart Throttle ESC and automatically begin to send telemetry information to your transmitter.

Using the Smart Throttle connection this ESC can send voltage, current, and other telemetry data. It can also pass along battery data from compatible Spektrum Smart batteries. A Spektrum Smart battery with IC3™ or IC5™ connector is required for battery data. EC3™ connectors are compatible for basic operation, but will not provide Smart battery data.

Only certain Spektrum telemetry receivers include Smart Throttle, check your receiver manual for more information. If the ESC is not connected to a Smart Throttle compatible receiver no telemetry data from the ESC will be available, but the ESC will operate normally with a common servo signal (PWM).

Normal Servo Signal (PWM):

The Firma ESCs are fully compatible with common RC receivers and will use a conventional PWM signal for basic operation.

Installation and Wiring

1. Mount the ESC and power button with double sided tape or hook and loop material. Select a location to mount the ESC with good ventilation for cooling. The ESC mounting tabs can also be used to secure the ESC to the vehicle's chassis.
2. Connect the three motor wires from the ESC to the motor wires in any order. In the event the motor spins the wrong direction, reverse any two wires.
3. Connect the throttle servo lead to the throttle port on your receiver.
4. Secure all wiring so it is protected from damage or being caught by moving parts.

NOTICE: Do not connect a dedicated receiver battery to the receiver along with the ESC. When the ESC is turned On it will provide the receiver with 6V regulated power from the main battery through the throttle connection. The ESC may be damaged if the receiver is also connected to a dedicated receiver battery.

ESC and Transmitter Calibration

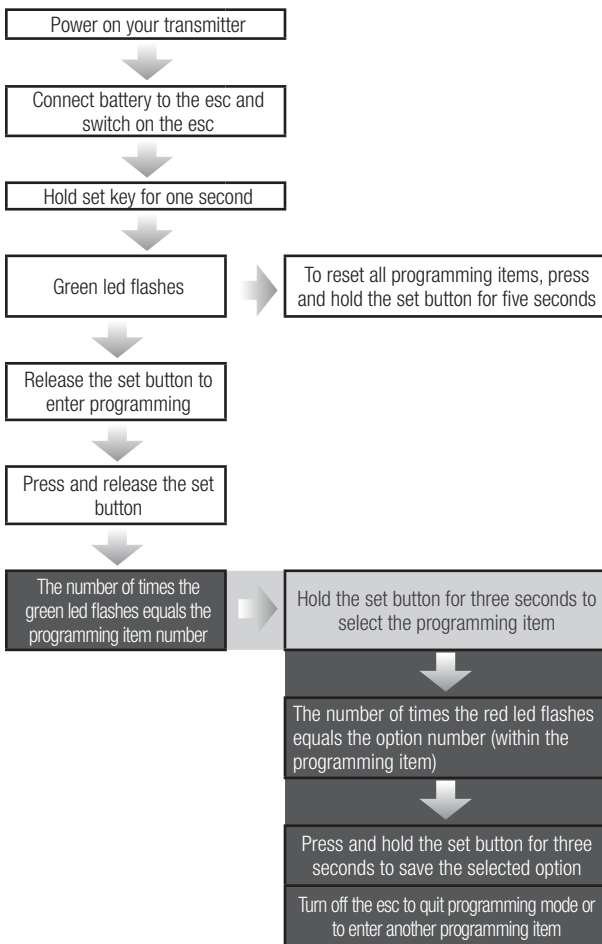
1. Begin with the transmitter and receiver binding complete.
2. Set your transmitter's throttle channel to 100% travel and trim to neutral.
3. Turn on your transmitter and connect a battery to the ESC but don't power it on.
4. Press and hold the Set button while turning on the ESC. When the red LED begins to flash, release the Set button. The ESC will enter programming mode if the button is pressed for more than three seconds.

TIP: The red LED should be flashing when the ESC enters calibration mode. If the green LED is flashing the ESC is in programming mode.

5. Leave the throttle trigger at the neutral position, then press and release the Set button. The red LED will stop flashing, the green LED will flash one time and the motor will make a tone to indicate the neutral position has been accepted.
6. Hold the throttle trigger at the full throttle position then press and release the Set button. The green LED will flash twice and the motor will make two tones to indicate the full throttle position has been accepted.
7. Hold the throttle trigger at the full brake position then press and release the Set button. The green LED will flash three times and the motor will make three tones to indicate the full brake position has been accepted.

The motor will operate normally after calibration is completed.

Button Programming



More Programming Options

The programmable items and their options can be found on the included programming card. Use the button programming, Smart ESC programming box (part # SPMXCA200) or the SmartLink USB updating and programmer application to make settings changes. See SpektrumRC.com for more details about your Firma ESC.

Programming with the SPMXCA200 Smart Programmer Box

1. Unplug the fan and connect the programming lead to the fan port.
2. Connect a battery to the ESC.
3. Power on the box and select the parameter with the SELECT button.
4. Change the values of the selected parameter with the EDIT button
5. Press the SAVE button to save the changes. The ESC requires a power cycle to implement the saved changes.

Operation

1. Connect a battery to the ESC.
2. Leave the transmitter throttle at neutral and press the On/Off button on the ESC to turn it on. The ESC will cause the motor to make several tones. The number of tones indicates (1) the ESC is in operation (2) the LiPo cell count detected and (3) the ESC is in a ready-to-use state.
3. Press the On/Off button or unplug the battery to turn off the ESC.

NOTICE: Do not leave a battery connected with the ESC turned off for extended periods of time. Always unplug the battery for storage or the battery may be damaged.

LED Indicator	LED Code
ESC turned On, LED indicator is Off	Throttle trigger is in the neutral zone
Red LED illuminated	ESC is operating in forward, reverse or brake
Red and Green LED illuminated	ESC is at full throttle, full brake, or full reverse
LED flashes red with short single pulses	LVC protection activated
LED flashes green with short single pulses	The ESC is in thermal shutoff mode
LED flashes green with three short pulses repeating	The ESC has exceeded the continuous current limit
LED flashes green with four short pulses repeating	The ESC has failed the self test
LED flashes green with five short pulses repeating	Capacitor temp has been exceeded

Troubleshooting Guide

Problem and LED Indicator	Error Mode	Possible Causes	Solution
Motor won't operate. LED flashes red with short single pulses.	LVC has been activated.	Battery voltage is below the LVC setting.	Verify the battery is charged.
		ESC settings are incorrect for your battery.	Verify the ESC settings are correct for your battery.
Motor won't operate. LED flashes green with short single pulses.	The ESC is in thermal shutoff mode.	The ESC is not getting adequate airflow.	Turn off the ESC and allow it to cool before resuming operation. Consider making changes to improve airflow to the ESC.
		There is too much load on the drive system for the ESC to support.	Consider changing the battery, motor, gearing, or tires to reduce the load on the ESC, or change your driving habits to reduce the load.
Motor won't operate. LED flashes green with three short pulses repeating.	The ESC has exceeded the continuous current limit.	The ESC is not getting adequate airflow.	Verify the motor is not damaged; If a motor is damaged it may still function but draw excessive current, resulting in over current protection.
		There is too much load on the drive system for the ESC to support.	Reduce the load on the motor Change to an ESC with higher current capabilities if the chosen ESC cannot handle the load demands for your model.
Motor won't operate. LED flashes green with four short pulses repeating.	The ESC has failed the self test.	The ESC is damaged.	Send the ESC to a Horizon Hobby service center for service.
Motor won't operate. LED flashes green with five short pulses repeating.	Capacitor temp has been exceeded	The ESC is not getting adequate airflow.	Turn off the ESC and allow it to cool before resuming operation. Consider making changes to improve airflow to the ESC.
		There is too much load on the drive system for the ESC to support.	Consider changing the battery, motor, gearing, or tires to reduce the load on the ESC, or change your driving habits to reduce the load.
Motor stutters at start-up.	N/A	Poor wiring connection between the ESC and motor.	Verify all wiring connections are solid and well insulated, re-flow any cold solder joints.
		Excessive drag on drive system.	Check for parts rubbing, bent shafts, rusted bearings, tight gears, or anything that could cause extra drag on the drive system.

1-YEAR LIMITED WARRANTY

What this Warranty Covers - Horizon Hobby, LLC, (Horizon) warrants to the original purchaser that the product purchased (the "Product") will be free from defects in materials and workmanship for a period of 1 year from the date of purchase.

What is Not Covered

This warranty is not transferable and does not cover (i) cosmetic damage, (ii) damage due to acts of God, accident, misuse, abuse, negligence, commercial use, or due to improper use, installation, operation or maintenance, (iii) modification of or to any part of the Product, (iv) attempted service by anyone other than a Horizon Hobby authorized service center, (v) Product not purchased from an authorized Horizon dealer, (vi) Product not compliant with applicable technical regulations, or (vii) use that violates any applicable laws, rules, or regulations.

OTHER THAN THE EXPRESS WARRANTY ABOVE, HORIZON MAKES NO OTHER WARRANTY OR REPRESENTATION, AND HEREBY DISCLAIMS ANY AND ALL IMPLIED WARRANTIES, INCLUDING, WITHOUT LIMITATION, THE IMPLIED WARRANTIES OF NON-INFRINGEMENT, MERCHANTABILITY AND FITNESS FOR A PARTICULAR PURPOSE. THE PURCHASER ACKNOWLEDGES THAT THEY ALONE HAVE DETERMINED THAT THE PRODUCT WILL SUITABLY MEET THE REQUIREMENTS OF THE PURCHASER'S INTENDED USE.

Purchaser's Remedy

Horizon's sole obligation and purchaser's sole and exclusive remedy shall be that Horizon will, at its option, either (i) service, or (ii) replace, any Product determined by Horizon to be defective. Horizon reserves the right to inspect any and all Product(s) involved in a warranty claim. Service or replacement decisions are at the sole discretion of Horizon. Proof of purchase is required for all warranty claims. SERVICE OR REPLACEMENT AS PROVIDED UNDER THIS WARRANTY IS THE PURCHASER'S SOLE AND EXCLUSIVE REMEDY.

Limitation of Liability

HORIZON SHALL NOT BE LIABLE FOR SPECIAL, INDIRECT, INCIDENTAL OR CONSEQUENTIAL DAMAGES, LOSS OF PROFITS OR PRODUCTION OR COMMERCIAL LOSS IN ANY WAY, REGARDLESS OF WHETHER SUCH CLAIM IS BASED IN CONTRACT, WARRANTY, TORT, NEGLIGENCE, STRICT LIABILITY OR ANY OTHER THEORY OF LIABILITY, EVEN IF HORIZON HAS BEEN ADVISED OF THE POSSIBILITY OF SUCH DAMAGES. Further, in no event shall the liability of Horizon exceed the individual price of the Product on which liability is asserted. As Horizon has no control over use, setup, final assembly, modification or misuse, no liability shall be assumed nor accepted for any resulting damage or injury. By the act of use, setup or assembly, the user accepts all resulting liability. If you as the purchaser or user are not prepared to accept the liability associated with the use of the Product, purchaser is advised to return the Product immediately in new and unused condition to the place of purchase.

Law

These terms are governed by Illinois law (without regard to conflict of law principals). This warranty gives you specific legal rights, and you may also have other rights which vary from state to state. Horizon reserves the right to change or modify this warranty at any time without notice.

WARRANTY SERVICES

Questions, Assistance, and Services

Your local hobby store and/or place of purchase cannot provide warranty support or service. Once assembly, setup or use of the Product has been started, you must contact your local distributor or Horizon directly. This will enable Horizon to

better answer your questions and service you in the event that you may need any assistance. For questions or assistance, please visit our website at www.horizonhobby.com, submit a Product Support Inquiry, or call the toll free telephone number referenced in the Warranty and Service Contact Information section to speak with a Product Support representative.

Inspection or Services

If this Product needs to be inspected or serviced and is compliant in the country you live and use the Product in, please use the Horizon Online Service Request submission process found on our website or call Horizon to obtain a Return Merchandise Authorization (RMA) number. Pack the Product securely using a shipping carton. Please note that original boxes may be included, but are not designed to withstand the rigors of shipping without additional protection. Ship via a carrier that provides tracking and insurance for lost or damaged parcels, as Horizon is not responsible for merchandise until it arrives and is accepted at our facility. An Online Service Request is available at http://www.horizonhobby.com/content/service-center_render-service-center. If you do not have internet access, please contact Horizon Product Support to obtain a RMA number along with instructions for submitting your product for service. When calling Horizon, you will be asked to provide your complete name, street address, email address and phone number where you can be reached during business hours. When sending product into Horizon, please include your RMA number, a list of the included items, and a brief summary of the problem. A copy of your original sales receipt must be included for warranty consideration. Be sure your name, address, and RMA number are clearly written on the outside of the shipping carton.

NOTICE: Do not ship LiPo batteries to Horizon. If you have any issue with a LiPo battery, please contact the appropriate Horizon Product Support office.

Warranty Requirements

For Warranty consideration, you must include your original sales receipt verifying the proof-of-purchase date. Provided warranty conditions have been met, your Product will be serviced or replaced free of charge. Service or replacement decisions are at the sole discretion of Horizon.

Non-Warranty Service

Should your service not be covered by warranty, service will be completed and payment will be required without notification or estimate of the expense unless the expense exceeds 50% of the retail purchase cost. By submitting the item for service you are agreeing to payment of the service without notification. Service estimates are available upon request. You must include this request with your item submitted for service. Non-warranty service estimates will be billed a minimum of ½ hour of labor. In addition you will be billed for return freight. Horizon accepts money orders and cashier's checks, as well as Visa, MasterCard, American Express, and Discover cards. By submitting any item to Horizon for service, you are agreeing to Horizon's Terms and Conditions found on our website http://www.horizonhobby.com/content/service-center_render-service-center.

ATTENTION: Horizon service is limited to Product compliant in the country of use and ownership. If received, a non-compliant Product will not be serviced. Further, the sender will be responsible for arranging return shipment of the un-serviced Product, through a carrier of the sender's choice and at the sender's expense. Horizon will hold non-compliant Product for a period of 60 days from notification, after which it will be discarded.

Warranty and Service Contact Information

Country of Purchase	Horizon Hobby	Contact Information	Address
United States of America	Horizon Service Center (Repairs and Repair Requests)	servicecenter.horizonhobby.com/RequestForm/	2904 Research Rd. Champaign, Illinois, 61822 USA
	Horizon Product Support (Product Technical Assistance)	productsupport@horizonhobby.com.	
		877-504-0233	
Sales	websales@horizonhobby.com 800-338-4639		

FCC Information

Supplier's Declaration of Conformity

FC This device complies with part 15 of the FCC Rules. Operation is subject to the following two conditions: (1) This device may not cause harmful interference, and (2) this device must accept any interference received, including interference that may cause undesired operation.



CAUTION: changes or modifications not expressly approved by the party responsible for compliance could void the user's authority to operate the equipment.

NOTE: This equipment has been tested and found to comply with the limits for a Class B digital device, pursuant to part 15 of the FCC Rules. These limits are designed to provide reasonable protection against harmful interference in a residential installation. This equipment generates, uses and can radiate radio frequency energy and, if not installed and used in accordance with the instructions, may cause harmful interference to radio communications. However, there is no guarantee that interference will not occur in a particular installation. If this equipment does cause harmful interference to radio or television reception, which can be determined by turning the equipment off and on, the user is encouraged to try to correct the interference by one or more of the following measures:

- Reorient or relocate the receiving antenna.
- Increase the separation between the equipment and receiver.
- Connect the equipment into an outlet on a circuit different from that to which the receiver is connected.
- Consult the dealer or an experienced radio/TV technician for help.

Horizon Hobby, LLC
2904 Research Rd.,
Champaign, IL 61822
Email: compliance@horizonhobby.com
Web: HorizonHobby.com

Compliance Information for Canada

CAN ICES-3 (B)/NMB-3(B)

This device complies with Industry Canada licence-exempt RSS standard(s). Operation is subject to the following two conditions:

- (1) this device may not cause interference,
- (2) this device must accept any interference, including interference that may cause undesired operation of the device.

Compliance Information for the European Union

EU Compliance Statement:

Horizon Hobby, LLC hereby declares that this product is in compliance with the essential requirements and other relevant provisions of the EMC Directive.

A copy of the EU Declaration of Conformity is available online at:
<http://www.horizonhobby.com/content/support-render-compliance>.

Instructions for disposal of WEEE by users in the European Union



This product must not be disposed of with other waste. Instead, it is the user's responsibility to dispose of their waste equipment by handing it over to a designated collection point for the recycling of waste electrical and electronic equipment. The separate collection and recycling of your waste equipment at the time of disposal will help to conserve natural resources and make sure that it is recycled in a manner that protects human health and the environment. For more information about where you can drop off your waste equipment for recycling, please contact your local city office, your household waste disposal service or where you purchased the product.

HINWEIS

Alle Anweisungen, Garantien und anderen zugehörigen Dokumente können im eigenen Ermessen von Horizon Hobby, LLC jederzeit geändert werden. Die aktuelle Produktliteratur finden Sie auf horizonhobby.com unter der Registerkarte „Support“ für das betreffende Produkt.

Spezielle Bedeutungen

Die folgenden Begriffe werden in der gesamten Produktliteratur verwendet, um auf unterschiedlich hohe Gefahrenrisiken beim Betrieb dieses Produkts hinzuweisen:

HINWEIS: Wenn diese Verfahren nicht korrekt befolgt werden, können sich möglicherweise Sachschäden UND geringe oder keine Gefahr von Verletzungen ergeben.

ACHTUNG: Wenn diese Verfahren nicht korrekt befolgt werden, ergeben sich wahrscheinlich Sachschäden UND die Gefahr von schweren Verletzungen.

WARNUNG: Wenn diese Verfahren nicht korrekt befolgt werden, ergeben sich wahrscheinlich Sachschäden, Kollateralschäden und schwere Verletzungen ODER mit hoher Wahrscheinlichkeit oberflächliche Verletzungen.



WARNUNG: Lesen Sie die GESAMTE Bedienungsanleitung, um sich vor dem Betrieb mit den Produktfunktionen vertraut zu machen. Wird das Produkt nicht korrekt betrieben, kann dies zu Schäden am Produkt oder persönlichem Eigentum führen oder schwere Verletzungen verursachen.

Dies ist ein hochentwickeltes Hobby-Produkt. Es muss mit Vorsicht und gesundem Menschenverstand betrieben werden und benötigt gewisse mechanische Grundfähigkeiten. Wird dieses Produkt nicht auf eine sichere und verantwortungsvolle Weise betrieben, kann dies zu Verletzungen oder Schäden am Produkt oder anderen Sachwerten führen. Dieses Produkt eignet sich nicht für die Verwendung durch Kinder ohne direkte Überwachung eines Erwachsenen. Versuchen Sie nicht ohne Genehmigung durch Horizon Hobby, LLC, das Produkt zu zerlegen, es mit inkompatiblen Komponenten zu verwenden oder auf jegliche Weise zu erweitern. Diese Bedienungsanleitung enthält Anweisungen für Sicherheit, Betrieb und Wartung. Es ist unbedingt notwendig, vor Zusammenbau, Einrichtung oder Verwendung alle Anweisungen und Warnhinweise im Handbuch zu lesen und zu befolgen, damit es bestimmungsgemäß betrieben werden kann und Schäden oder schwere Verletzungen vermieden werden.

Nicht geeignet für Kinder unter 14 Jahren. Dies ist kein Spielzeug.



Dieses Produkt ist ausschließlich für die Verwendung in unbemannten, ferngesteuerten Fahrzeugen und Fluggeräten im Hobbybereich vorgesehen. Horizon Hobby lehnt jede Haftung und Garantieleistung ausserhalb der vorgesehenen Verwendung ab.

Wasserfestes Fahrzeug mit spritzwassergeschützter Elektronik

Ihr neues Horizon Hobby Fahrzeug wurde mit einer Kombination von wasserfesten und spritzwassergeschützten Komponenten ausgestattet, die den Betrieb des Fahrzeuges unter nassen Bedingungen inklusive Pfützen, Bächen, nassem Gras, Schnee oder sogar Regen ermöglichen.

Obwohl das Fahrzeug sehr wasserfest ausgelegt ist, ist es nicht vollständig wasserdicht und sollte NICHT wie ein U-Boot behandelt werden. Die verschiedenen elektronischen Komponenten wie der elektronische Fahrtregler (ESC), die Servos und Empfänger sind wasserdicht, die meisten mechanischen Komponenten sind nur wasserbeständig und sollten daher nicht untergetaucht werden.

Metallteile, inklusive Lager, Bolzen Schrauben und Muttern wie auch die Kontakte in den elektrischen Kabeln sind für Korrosion anfällig wenn nicht zusätzliche Wartung nach jedem Betrieb in feuchter/nasser Umgebung erfolgt. Um die Langzeitleistung und die Garantie ihres Fahrzeuges zu erhalten, müssen Sie die Wartung wie in der Wartungsanleitung nach Fahrten in nasser Umgebung beschrieben durchführen. Sollten Sie diese zusätzliche Wartung nicht ausführen wollen, dürfen Sie ihr Fahrzeug unter diesen Bedingungen nicht betreiben.



ACHTUNG: Mangelnde Aufmerksamkeit bei dem Gebrauch dieses Produktes in Verbindung mit den folgenden Sicherheitshinweisen könnte zu Fehlfunktionen und zum Verlust der Garantie führen.

Allgemeine Sicherheitshinweise

- Bitte lesen Sie sich die Wartungsanleitung nach Fahrten in nasser Umgebung sorgfältig durch und stellen sicher, dass Sie alle Werkzeuge für eine Wartung des Fahrzeuges haben.
- Sie können nicht alle Akkutypen für Fahrten in nasser Umgebung nutzen. Fragen Sie dazu vor dem Einsatz den Hersteller des Akkus. Achtsamkeit und Vorsicht ist notwendig wenn Sie LiPo Akkus in feuchten Umgebungen einsetzen.
- Die meisten Sender sind nicht wasserfest. Sehen Sie bitte dazu vor Inbetriebnahme in der Bedienungsanleitung ihres Senders nach oder kontaktieren Sie den Hersteller.
- Nehmen Sie niemals den Sender bei Blitzen oder Gewitter in Betrieb.
- Betreiben Sie ihr Fahrzeug nicht an Orten wo es in Kontakt mit Salzwasser oder verschmutzten, belasteten Gewässern kommen kann. Salzwasser ist sehr leitend und stark korrosionsfördernd, sein Sie daher sehr achtsam.
- Schon geringer Wasserkontakt kann den Motor beschädigen wenn er nicht für den Betrieb in Wasser ausgelegt ist. Sollte der Motor nass geworden sein geben Sie etwas Gas bis die meiste Feuchtigkeit vom Motor entfernt ist. Lassen Sie einen nassen Motor auf hoher Geschwindigkeit laufen wird dieses den Motor sehr schnell beschädigen.
- Fahren in nasser Umgebung kann die Lebenszeit des Motors reduzieren, da dieses den Motor stark beansprucht. Verändern Sie die Unteretzung zu einem kleinerem Ritzel oder größeren Zahnrad. Dieses erhöht das Drehmoment (und verlängert die Motorlebensdauer) bei dem Betrieb in Matsch, tieferen Pfützen oder anderen Bedingungen, die die Last des Motors für einen längeren Zeitraum erhöhen.

Wartungsanleitung nach Fahrten in nasser Umgebung

- Entfernen Sie Wasser in den Reifen durch Gas geben. Nehmen Sie die Karosserie ab, drehen das Fahrzeug auf den Kopf und geben ein paar Mal kurz Vollgas bis das Wasser aus dem Reifen entfernt ist.



ACHTUNG: Entfernen Sie Wasser in den Reifen durch Gas geben. Nehmen Sie die Karosserie ab, drehen das Fahrzeug auf den Kopf und geben ein paar Mal kurz Vollgas bis das Wasser aus dem Reifen entfernt ist.

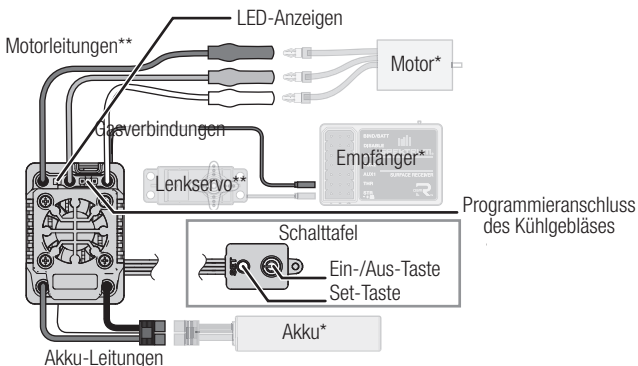
- Entfernen Sie die Akkupacks und trocknen die Kontakte. Sollten Sie einen Kompressor oder Druckluft zur Verfügung haben, blasen Sie damit das Wasser aus dem Motorgehäuse.

- Nehmen Sie die Reifen und Felgen vom Fahrzeug ab und spülen Sie vorsichtig mit einem Gartenschlauch ab. Vermeiden Sie die Lager oder den Antrieb direkt zu spülen.

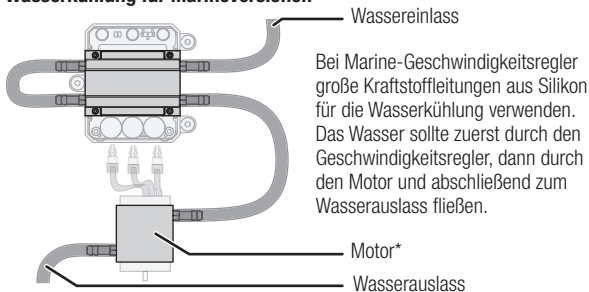
HINWEIS: Verwenden Sie keinen Hochdruckreiniger um das Fahrzeug zu reinigen.

- Reinigen Sie das Fahrzeug mit Druckluft aus einem Kompressor oder einer Druckluftflasche und entfernen so das Wasser aus den Spalten und Ecken.
- Sprühen Sie alle Lager, Befestigungen und andere Metallteile mit einem wasserverdrängendem Leichtöl oder Schmiermittel ein. Sprühen Sie nicht den Motor ein.
- Lassen Sie das Fahrzeug vor dem Einlagern vollständig trocknen. Das Abtropfen von Wasser (und Öl) kann durchaus ein paar Stunden dauern.
- Erhöhen Sie die Wartungsintervalle (Demontage, Inspektion und schmieren) von folgenden Komponenten:
 - Vorder- und Hinterachse, Aufnahme und Lager.
 - Alle Antriebswellen Lager, Gehäuse, Getriebe und Differentiale.
 - Motor: reinigen Sie den Motor mit einen Aerosol Reiniger und ölen Sie dann die Lager mit leichtem Motoröl.

Kabelplan



Wasserkühlung für Marineversionen



* Nicht enthalten

** Einige Firma-Geschwindigkeitsregler umfassen direkt am Gehäuse des Geschwindigkeitsreglers Rundsteckhülsen

Gassignal

SMART Throttle:

Der Spektrum Firma™ Geschwindigkeitsregler ist mit SMART Throttle kompatibel. SMART Throttle kombiniert die Gassignale mit den Telemetriedaten vom Geschwindigkeitsregler auf einem normalen Dreileiter-Servostecker. Die mit SMART Throttle kompatiblen Empfänger werden einen SMART Throttle-Geschwindigkeitsregler erkennen und automatisch mit dem Senden der Telemetriedaten an Ihren Empfänger beginnen. Dieser Geschwindigkeitsregler kann mit der SMART Throttle-Verbindung Spannung, Stromstärke und andere Telemetriedaten senden. Er leitet außerdem die Akku-Daten von kompatiblen Spektrum SMART-Akkus weiter. Ein Spektrum SMART-Akku mit einem IC3™ - oder IC5™ -Stecker ist für die Akkudaten erforderlich. Die Stecker der EC-Serie (EC3™, EC5™) sind für die grundlegende Bedienung kompatibel, stellen jedoch keine SMART-Akkudaten bereit. Nur bestimmte Spektrum-Telemetrieempfänger umfassen SMART Throttle, überprüfen Sie Ihr Empfängerhandbuch zu weiteren Informationen. Ist der Geschwindigkeitsregler nicht mit einem SMART Throttle-kompatiblen Empfänger verbunden, so sind vom Geschwindigkeitsregler keine Telemetriedaten verfügbar, jedoch arbeitet dieser normal mit einem Normal-Servosignal (PWM).

Normal-Servosignal (PWM):

Die Firma-Geschwindigkeitsregler sind komplett mit den gewöhnlichen RC-Empfängern kompatibel und werden für die grundlegende Bedienung ein konventionelles Normal-Servosignal verwenden.

Montage und Verkabelung

1. Befestigen Sie den Geschwindigkeitsregler und die Ein-/Aus-Taste mit doppelseitigem Klebeband oder Klettband. Wählen Sie eine Stelle zum Montieren des Geschwindigkeitsreglers mit einer guten Belüftung zum Kühlen. Die Halterungslaschen des Geschwindigkeitsreglers können ebenfalls zum Sichern des Geschwindigkeitsreglers an der Fahrzeugkarosserie verwendet werden.
2. Verbinden Sie die drei Motordrähte vom Geschwindigkeitsregler mit den Motordrähten in einer beliebigen Reihenfolge.
Falls sich der Motor in die falsche Richtung dreht, so kehren Sie zwei beliebige Drähte um.
3. Schließen Sie die Gas-Servoleitung an den Gasanschluss Ihres Empfängers an.
4. Sichern Sie alle Verkabelungen, damit sie vor Schäden oder Drehteilen geschützt sind.

HINWEIS: Schließen Sie keinen dedizierten Empfänger-Akku an den Empfänger zusammen mit dem Geschwindigkeitsregler an. Wird der Geschwindigkeitsregler eingeschaltet, versorgt er den Empfänger über den Gasanschluss mit geregelter Stromversorgung von 6 V vom Hauptakku. Der Geschwindigkeitsregler kann beschädigt werden, wenn der Empfänger außerdem an einen dedizierten Empfänger-Akku angeschlossen ist.

Kalibrierung von Geschwindigkeitsregler und Sender

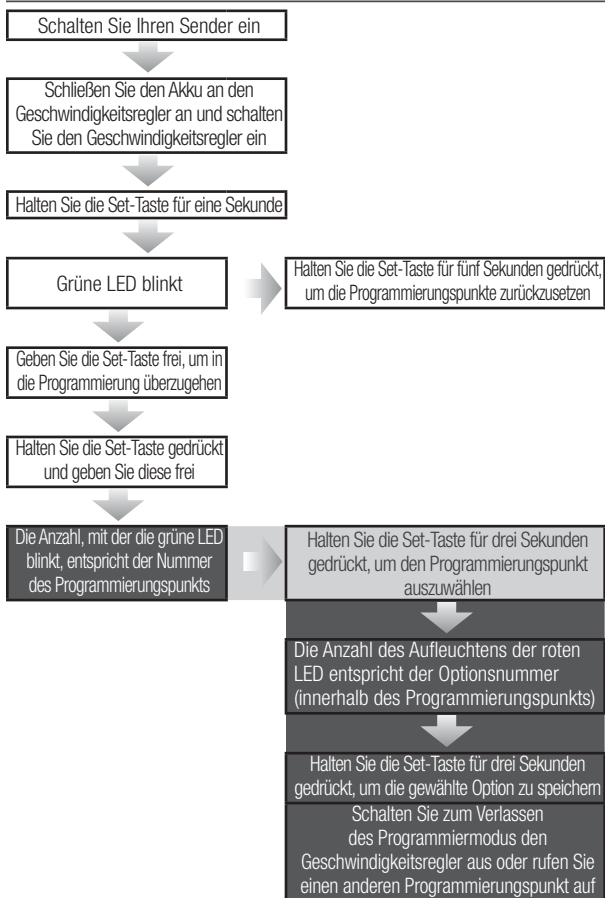
1. Beginnen Sie mit dem Binden von Sender und Empfänger.
2. Richten Sie den Gaskanal des Senders auf 100 % Verfahrenweg und Trimmung auf Neutral.
3. Schalten Sie Ihren Sender ein und schließen Sie einen Akku an den Geschwindigkeitsregler an, ohne diesen einzuschalten.
4. Halten Sie die Set-Taste gedrückt, während Sie den Geschwindigkeitsregler einschalten. Lassen Sie die Set-Taste los, wenn die rote LED mit Blinken beginnt. Der Geschwindigkeitsregler wird in den Programmiermodus wechseln, wenn die Taste für mehr als drei Sekunden gedrückt wird.

TIPP: Die rote LED sollte blinken, wenn der Geschwindigkeitsregler in den Kalibrierungsmodus wechselt. Blinkt die grüne LED, so befindet sich der Geschwindigkeitsregler im Programmiermodus.

5. Belassen Sie den Gasauslöser in der neutralen Position, drücken Sie dann die Set-Taste und geben Sie diese frei. Die rote LED blinkt nicht länger, die grüne LED blinkt einmal und der Motor wird einen Ton abgeben, um anzuzeigen, dass die neutrale Position akzeptiert wurde.

6. Halten Sie den Gasauslöser in der Vollgas-Position, drücken Sie dann die Set-Taste und geben Sie diese frei. Die grüne LED wird zweimal blinken und der Motor wird zwei Töne abgeben, um anzuzeigen, dass die Vollgas-Position akzeptiert wurde.
 7. Halten Sie den Gasauslöser in der Vollbremse-Position, drücken Sie dann die Set-Taste und geben Sie diese frei. Die grüne LED blinkt dreimal und der Motor wird drei Töne abgeben, um anzuzeigen, dass die Vollbremse-Position akzeptiert wurde.
- Der Motor wird nach dem Abschluss der Kalibrierung normal arbeiten.

Tastenprogrammierung



Weiter Programmieroptionen

Weitere Programmierungsoptionen umfassen die Programmierbox des SPMXCA200 Smart Firma-Geschwindigkeitsreglers sowie die Aktualisierung und Programmieranwendung von SmartLink USB. Weitere Einzelheiten über die Firma-Geschwindigkeitsregler finden Sie unter SpektrumRC.com.

Programmieren mit der SPMXCA200 SMART- Programmierbox

1. Stecken Sie den Lüfter aus und verbinden Sie die Programmierleitung mit dem Lüfteranschluss.
2. Schließen Sie einen Akku an den Geschwindigkeitsregler an.
3. Schalten Sie die Box ein und wählen Sie den Parameter mit der Taste „SELECT“ [Wählen].
4. Ändern Sie die Werte des gewählten Parameters mit der Taste „EDIT“ [Bearbeiten]
5. Drücken Sie zum Speichern der Änderungen die Taste „SAVE“ [Speichern]. Der Geschwindigkeitsregler muss aus- und eingeschaltet werden, um die gespeicherten Änderungen umzusetzen.

Betrieb

1. Schließen Sie einen Akku an den Geschwindigkeitsregler an.
2. Belassen Sie das Gas des Senders in Neutral und drücken Sie die Ein-/Aus-Taste am Geschwindigkeitsregler, um diesen einzuschalten. Der Geschwindigkeitsregler veranlasst den Motor zur Abgabe von mehreren Tönen. Die Anzahl der Töne zeigen (1) den Betrieb des Geschwindigkeitszählers, (2) die Anzahl der erkannten LiPo-Zellen und (3) die Einsatzbereitschaft des Geschwindigkeitsreglers an.
3. Drücken Sie die Ein-/Aus-Taste und stecken Sie den Akku aus, um den Geschwindigkeitsregler auszuschalten.

HINWEIS: Belassen Sie den Akku nicht angeschlossen, wenn der Geschwindigkeitsregler für längere Zeit ausgeschaltet ist. Stecken Sie für die Lagerung den Akku immer aus oder es kommt zu Schäden am Akku.

LED-Anzeige	LED-Code
Geschwindigkeitsregler ist eingeschaltet, LED-Anzeige ist ausgeschaltet	Der Gasauslöser befindet sich in der neutralen Zone
Rote LED leuchtet	ESC arbeitet in Vorwärts-, Rückwärts- oder Bremsstellung
Rote und grüne LED leuchten	ESC ist auf Vollgas, Vollbremsung oder Vollgas
LED blinkt rot mit kurzen Einzelpulsen	Niedrigtrennungsschutz ist aktiviert
LED blinkt grün mit kurzen Einzelpulsen	Der Geschwindigkeitsregler befindet sich im Thermoabschaltmodus
LED blinkt grün mit drei sich wiederholenden Pulsen	Der Geschwindigkeitsregler hat die Dauerstromgrenze überschritten
LED blinkt grün mit vier sich wiederholenden Pulsen	Der Geschwindigkeitsregler hat den Selbsttest nicht bestanden
LED blinkt grün mit fünf sich wiederholenden Pulsen	Die Temperatur des Kondensators wurde überschritten

Anleitung zur Fehlerbehebung

Problem und LED-Anzeige	Fehlermodus	Mögliche Ursachen	Lösung
Motor arbeitet nicht. LED blinkt rot mit kurzen Einzelpulsen.	Niedrigtrens- spannung wurde aktiviert.	Die Akku-Spannung liegt unter den Einstellungen der Niedrigtrens- spannung.	Überprüfen Sie, dass der Akku geladen ist.
		Die Einstellungen des Geschwindigkeitsreglers sind falsch für Ihren Akku.	Bestätigen Sie, dass die Einstellungen des Geschwindigkeitsreglers für Ihren Akku korrekt sind.
Motor arbeitet nicht. LED blinkt grün mit kurzen Einzelpulsen.	Der Geschwindigkeitsregler befindet sich im Thermoabschaltmodus.	Der Geschwindigkeitsregler hat keine ausreichende Luftzufuhr.	Schalten Sie den Geschwindigkeitsregler aus und lassen Sie ihn vor der erneuten Inbetriebnahme abkühlen. Ziehen Sie Änderungen in Betracht, um die Luftzufuhr zum Geschwindigkeitsregler zu verbessern.
		Es liegt eine zu große Last am Antriebssystem für den Geschwindigkeitsregler an, um diesen zu stützen.	Ziehen Sie Änderungen an Akku, Motor, Getriebe oder Rädern in Betracht, um die Last am Geschwindigkeitsregler zu reduzieren oder ändern Sie Ihre Fahrgewohnheiten, um die Last zu verringern.
Motor arbeitet nicht. LED blinkt grün mit drei sich wiederholenden Pulsen.	Der Geschwindigkeitsregler hat die Dauerstromgrenze überschritten.	Der Geschwindigkeitsregler hat keine ausreichende Luftzufuhr.	Überprüfen Sie, dass der Motor unbeschädigt ist. Ein beschädigter Motor kann weiterhin funktionieren, zieht aber übermäßig Strom, was zu einer frühzeitigen Aktivierung des Überlastschutzes führt.
		Es liegt eine zu große Last am Antriebssystem für den Geschwindigkeitsregler an, um diesen zu stützen.	Reduzieren Sie die Last am Motor
			Wechseln Sie zu einem Geschwindigkeitsregler mit größeren Stromressourcen, wenn der gewählte Geschwindigkeitsregler die für Ihr Modell geforderten Lasten nicht handhaben kann.
Motor arbeitet nicht. LED blinkt grün mit vier sich wiederholenden Pulsen.	Der Geschwindigkeitsregler hat den Selbsttest nicht bestanden.	Der Geschwindigkeitsregler ist beschädigt.	Senden Sie den Geschwindigkeitsregler zwecks Reparatur an das Horizon Hobby Service Center.
Motor arbeitet nicht. LED blinkt grün mit fünf sich wiederholenden Pulsen.	Die Temperatur des Kondensators wurde überschritten	Der Geschwindigkeitsregler hat keine ausreichende Luftzufuhr.	Schalten Sie den Geschwindigkeitsregler aus und lassen Sie ihn vor der erneuten Inbetriebnahme abkühlen. Ziehen Sie Änderungen in Betracht, um die Luftzufuhr zum Geschwindigkeitsregler zu verbessern.
		Es liegt eine zu große Last am Antriebssystem für den Geschwindigkeitsregler an, um diesen zu stützen.	Ziehen Sie Änderungen an Akku, Motor, Getriebe oder Rädern in Betracht, um die Last am Geschwindigkeitsregler zu reduzieren oder ändern Sie Ihre Fahrgewohnheiten, um die Last zu verringern.
Motor stottert beim Einschalten.	N/Z	Schlechte Kabelverbindungen zwischen Geschwindigkeitsregler und Motor.	Überprüfen Sie, dass alle Kabelverbindungen fest und gut isoliert sind, löten Sie die Kaltlötverbindungen erneut.
		Übermäßiger Widerstand am Antriebssystem.	Prüfen Sie auf reibende Teile, verbogene Wellen, verrostete Lager, festsitzende Zahnräder oder andere Möglichkeiten, die zusätzlichen Widerstand auf dem Antriebssystem verursachen könnten.

Garantie und Service Informationen

Warnung

Ein ferngesteuertes Modell ist kein Spielzeug. Es kann, wenn es falsch eingesetzt wird, zu erheblichen Verletzungen bei Lebewesen und Beschädigungen an Sachgütern führen. Betreiben Sie Ihr RC-Modell nur auf freien Plätzen und beachten Sie alle Hinweise der Bedienungsanleitung des Modells wie auch der Fernsteuerung.

Garantiezeitraum

Exklusive Garantie Horizon Hobby LLC (Horizon) garantiert, dass dasgekaufte Produkt frei von Material- und Montagefehlern ist. Der Garantiezeitraum entspricht den gesetzlichen Bestimmung des Landes, in dem das Produkt erworben wurde. In Deutschland beträgt der Garantiezeitraum 6 Monate und der Gewährleistungszeitraum 18 Monate nach dem Garantiezeitraum

Einschränkungen der Garantie

- (a) Die Garantie wird nur dem Erstkäufer (Käufer) gewährt und kann nicht übertragen werden. Der Anspruch des Käufers besteht in der Reparatur oder dem Tausch im Rahmen dieser Garantie. Die Garantie erstreckt sich ausschließlich auf Produkte, die bei einem autorisierten Horizon Händler erworben wurden. Verkäufe an dritte werden von dieser Garantie nicht gedeckt. Garantieansprüche werden nur angenommen, wenn ein gültiger Kaufnachweis erbracht wird. Horizon behält sich das Recht vor, diese Garantiebestimmungen ohne Ankündigung zu ändern oder modifizieren und widerruft dann bestehende Garantiebestimmungen.
- (b) Horizon übernimmt keine Garantie für die Verkaufbarkeit des Produktes, die Fähigkeiten und die Fitness des Verbrauchers für einen bestimmten Einsatzzweck des Produktes. Der Käufer allein ist dafür verantwortlich, zu prüfen, ob das Produkt seinen Fähigkeiten und dem vorgesehenen Einsatzzweck entspricht.
- (c) Ansprüche des Käufers – Es liegt ausschließlich im Ermessen von Horizon, ob das Produkt, bei dem ein Garantiefall festgestellt wurde, repariert oder ausgetauscht wird. Dies sind die exklusiven Ansprüche des Käufers, wenn ein Defekt festgestellt wird.

Horizon behält sich vor, alle eingesetzten Komponenten zu prüfen, die in den Garantiefall einbezogen werden können. Die Entscheidung zur Reparatur oder zum Austausch liegt nur bei Horizon. Die Garantie schließt kosmetische Defekte oder Defekte, hervorgerufen durch höhere Gewalt, falsche Behandlung des Produktes, falscher Einsatz des Produktes, kommerziellen Einsatz oder Modifikationen irgendwelcher Art aus.

Die Garantie schließt Schäden, die durch falschen Einbau, falsche Handhabung, Unfälle, Betrieb, Service oder Reparaturversuche, die nicht von Horizon ausgeführt wurden aus. Ausgeschlossen sind auch Fälle die bedingt durch (vii) eine Nutzung sind, die gegen geltendes Recht, Gesetze oder Regularien verstoßen haben. Rücksendungen durch den Käufer direkt an Horizon oder eine seiner Landesvertretung bedürfen der Schriftform.

Schadensbeschränkung

Horizon ist nicht für direkte oder indirekte Folgeschäden, Einkommensausfälle oder kommerzielle Verluste, die in irgendeinem Zusammenhang mit dem Produkt stehen verantwortlich, unabhängig ab ein Anspruch im Zusammenhang mit einem Vertrag, der Garantie oder der Gewährleistung erhoben werden. Horizon wird darüber hinaus keine Ansprüche aus einem Garantiefall akzeptieren, die über den individuellen Wert des Produktes hinaus gehen. Horizon hat keinen Einfluss auf den Einbau, die Verwendung oder die Wartung des Produktes oder etwaiger Produktkombinationen, die vom Käufer gewählt werden. Horizon übernimmt keine Garantie und akzeptiert keine Ansprüche für in der folge auftretende Verletzungen oder Beschädigungen. Mit der Verwendung und dem Einbau des Produktes akzeptiert der Käufer alle aufgeführten Garantiebestimmungen ohne Einschränkungen und Vorbehalte.

Wenn Sie als Käufer nicht bereit sind, diese Bestimmungen im Zusammenhang mit der Benutzung des Produktes zu akzeptieren, werden Sie gebeten, dass Produkt in unbenutztem Zustand in der Originalverpackung vollständig bei dem Verkäufer zurückzugeben.

Sicherheitshinweise

Dieses ist ein hochwertiges Hobby Produkt und kein Spielzeug. Es muss mit Vorsicht und Umsicht eingesetzt werden und erfordert einige mechanische wie auch mentale Fähigkeiten. Ein Versagen, das Produkt sicher und umsichtig zu betreiben kann zu Verletzungen von Lebewesen und Sachbeschädigungen erheblichen Ausmaßes führen. Dieses Produkt ist nicht für den Gebrauch durch Kinder ohne die Aufsicht eines Erziehungsberechtigten vorgesehen. Die Anleitung enthält Sicherheitshinweise und Vorschriften sowie Hinweise für die Wartung und den Betrieb des Produktes. Es ist unabdingbar, diese Hinweise vor der ersten Inbetriebnahme zu lesen und zu verstehen. Nur so kann der falsche Umgang verhindert und Unfälle mit Verletzungen und Beschädigungen vermieden werden.

Fragen, Hilfe und Reparaturen

Ihr lokaler Fachhändler und die Verkaufsstelle können eine Garantiebeurteilung ohne Rücksprache mit Horizon nicht durchführen. Dies gilt auch für Garantiereparaturen. Deshalb kontaktieren Sie in einem solchen Fall den Händler, der sich mit Horizon kurz schließen wird, um eine sachgerechte Entscheidung zu fällen, die Ihnen schnellst möglich hilft.

Wartung und Reparatur

Muss Ihr Produkt gewartet oder repariert werden, wenden Sie sich entweder an Ihren Fachhändler oder direkt an Horizon.

Rücksendungen / Reparaturen werden nur mit einer von Horizon vergebenen RMA Nummer bearbeitet. Diese Nummer erhalten Sie oder ihr Fachhändler vom technischen Service. Mehr Informationen dazu erhalten Sie im Serviceportal unter www.Horizonhobby.de oder telefonisch bei dem technischen Service von Horizon.

Packen Sie das Produkt sorgfältig ein. Beachten Sie, dass der Originalkarton in der Regel nicht ausreicht, um beim Versand nicht beschädigt zu werden. Verwenden Sie einen Paketdienstleister mit einer Tracking Funktion und Versicherung, da Horizon bis zur Annahme keine Verantwortung für den Versand des Produktes übernimmt. Bitte legen Sie dem Produkt einen Kaufbeleg bei, sowie eine ausführliche Fehlerbeschreibung und eine Liste aller eingesendeten Einzelkomponenten. Weiterhin benötigen wir die vollständige Adresse, eine Telefonnummer für Rückfragen, sowie eine Email Adresse.

Garantie und Reparaturen

Garantieanfragen werden nur bearbeitet, wenn ein Originalkaufbeleg von einem autorisierten Fachhändler beiliegt, aus dem der Käufer und das Kaufdatum hervorgeht. Sollte sich ein Garantiefall bestätigen wird das Produkt repariert oder ersetzt. Diese Entscheidung obliegt einzig Horizon Hobby.

Kostenpflichtige Reparaturen

Liegt eine kostenpflichtige Reparatur vor, erstellen wir einen Kostenvoranschlag, den wir Ihrem Händler übermitteln. Die Reparatur wird erst vorgenommen, wenn wir die Freigabe des Händlers erhalten. Der Preis für die Reparatur ist bei Ihrem Händler zu entrichten. Bei kostenpflichtigen Reparaturen werden mindestens 30 Minuten Werkstattzeit und die Rückversandkosten in Rechnung gestellt. Sollten wir nach 90 Tagen keine Einverständniserklärung zur Reparatur vorliegen haben, behalten wir uns vor, das Produkt zu vernichten oder anderweitig zu verwerten.

ACHTUNG: Kostenpflichtige Reparaturen nehmen wir nur für Elektronik und Motoren vor. Mechanische Reparaturen, besonders bei Hubschraubern und RC-Cars sind extrem aufwendig und müssen deshalb vom Käufer selbst vorgenommen werden. 10/15

Garantie und Service Kontaktinformationen

Land des Kauf	Horizon Hobby	Telefon/E-mail Adresse	Adresse
Europäische Union	Horizon Technischer Service	service@horizon-hobby.de	Hanskampring 9 D 22885 Barsbüttel, Germany
	Sales: Horizon Hobby GmbH	+49 (0) 4121 2655 100	

Rechtliche Informationen für die Europäische Union



EU Konformitätserklärung

Horizon LLC erklärt hiermit, dass dieses Produkt konform zu den essentiellen Anforderungen der EMC Direktive.

Eine Kopie der Konformitätserklärung ist online unter folgender Adresse

verfügbar :

<http://www.horizonhobby.com/content/support-render-compliance>

Anweisungen zur Entsorgung von Elektro- und Elektronik-Altgeräten für Benutzer in der Europäischen Union



Dieses Produkt darf nicht zusammen mit anderem Abfall entsorgt werden. Stattdessen ist der Benutzer dafür verantwortlich, unbrauchbare Geräte durch Abgabe bei einer speziellen Sammelstelle für das Recycling von unbrauchbaren elektrischen und elektronischen Geräten zu entsorgen. Die separate Sammlung und das Recycling von unbrauchbaren Geräten zum Zeitpunkt der Entsorgung hilft, natürliche Ressourcen zu bewahren und sicherzustellen, dass Geräte auf eine Weise wiederverwertet werden,

bei der die menschliche Gesundheit und die Umwelt geschützt werden. Weitere Informationen dazu, wo Sie unbrauchbare Geräte zum Recycling abgeben können, erhalten Sie bei lokalen Ämtern, bei der Müllabfuhr für Haushaltsmüll sowie dort, wo Sie das Produkt gekauft haben.

REMARQUE

La totalité des instructions, garanties et autres documents est sujette à modification à la seule discrétion d'Horizon Hobby, LLC. Pour obtenir la documentation à jour, rendez-vous sur le site horizonhobby.com et cliquez sur l'onglet de support de ce produit.

Signification de certains termes spécifiques

Les termes suivants sont utilisés dans l'ensemble du manuel pour indiquer différents niveaux de danger lors de l'utilisation de ce produit :

AVERTISSEMENT : procédures qui, si elles ne sont pas suivies correctement, peuvent entraîner des dégâts matériels et des blessures graves OU engendrer une probabilité élevée de blessure superficielle.

ATTENTION : procédures qui, si elles ne sont pas suivies correctement, peuvent entraîner des dégâts matériels ET des blessures graves.

REMARQUE : procédures qui, si elles ne sont pas suivies correctement, peuvent entraîner des dégâts matériels ET éventuellement un faible risque de blessures.

AVERTISSEMENT : lisez la TOTALITÉ du manuel d'utilisation afin de vous familiariser avec les caractéristiques du produit avant de le faire fonctionner. Une utilisation incorrecte du produit peut entraîner sa détérioration, ainsi que des risques de dégâts matériels, voire de blessures graves.

Ceci est un produit de loisirs sophistiqué. Il doit être manipulé avec prudence et bon sens et requiert des aptitudes de base en mécanique. Toute utilisation irresponsable de ce produit ne respectant pas les principes de sécurité peut provoquer des blessures, entraîner des dégâts matériels et endommager le produit. Ce produit n'est pas destiné à être utilisé par des enfants sans la surveillance directe d'un adulte. N'essayez pas de démonter le produit, de l'utiliser avec des composants incompatibles ou d'en améliorer les performances sans l'accord d'Horizon Hobby, LLC. Ce manuel comporte des instructions relatives à la sécurité, au fonctionnement et à l'entretien. Il est capital de lire et de respecter la totalité des instructions et avertissements du manuel avant l'assemblage, le réglage et l'utilisation, ceci afin de manipuler correctement l'appareil et d'éviter tout dégât matériel ou toute blessure grave.

14 ans et plus. Ceci n'est pas un jouet.



REMARQUE : Ce produit est uniquement réservé à une utilisation avec des modèles réduits radiocommandés de loisir. Horizon Hobby se dégage de toute responsabilité et garantie si le produit est utilisé d'autre manière que celle citée précédemment.

Véhicule résistant à l'eau et équipé d'une électronique étanche

Votre nouveau véhicule Horizon Hobby a été conçu et fabriqué en combinant des composants étanches et des composants résistants à l'eau vous permettant d'utiliser ce produit dans plusieurs "Conditions Humides" incluant les flaques d'eau, les ruisseaux, l'herbe humide, la neige et même la pluie.

Bien que le véhicule possède une grande résistance vis-à-vis de l'eau, il n'est pas entièrement étanche et votre véhicule ne doit PAS être utilisé comme un sous-marin. Les différents composants électroniques installés sur le véhicule, comme le contrôleur de vitesse électronique (ESC), le ou les servo(s) et le récepteur sont étanches, cependant la plupart des composants mécaniques résistent aux projections d'eau mais ne doivent pas être immergés. Les pièces métalliques comme les roulements, les axes de suspension, les vis et les écrous ainsi que les contacts des prises des câbles électriques sont exposés à l'oxydation si vous n'effectuez un entretien supplémentaire après avoir utilisé le produit dans des conditions humides. Pour conserver à long terme les performances de votre véhicule et conserver la garantie, les procédures décrites dans la section « Maintenance en conditions humides » doivent être régulièrement effectuées si vous roulez dans des conditions humides. Si vous ne souhaitez pas effectuer la maintenance supplémentaire requise, vous ne devez pas utiliser le véhicule dans ces conditions.



ATTENTION: un défaut de soin durant l'utilisation et un non-respect des consignes suivantes peut entraîner un dysfonctionnement du produit et/ou annuler la garantie.

Précautions Générales

- Lisez avec attention les procédures de maintenance en conditions humides et vérifiez que vous possédez tous les outils nécessaires pour effectuer la maintenance du véhicule.
- Toutes les batteries ne peuvent être utilisées en conditions humides. Consultez la documentation du fabricant de votre batterie avant utilisation. Des précautions doivent être appliquées quand vous utilisez des batteries Li-Po en conditions humides.
- La majorité des émetteurs ne résistent pas aux projections d'eau. Consultez le manuel ou le fabricant de votre émetteur avant utilisation.
- N'utilisez jamais votre émetteur ou votre véhicule sous un orage.
- N'utilisez JAMAIS votre véhicule où il pourrait entrer en contact avec de l'eau salée (Eau de mer ou flaque d'eau sur une route salée), ou de l'eau polluée ou contaminée.
- Une petite quantité d'eau peut réduire la durée de vie du moteur s'il n'est pas certifié étanche ou résistant aux projections d'eau. Si le moteur devient excessivement humide, appliquez légèrement les gaz pour évacuer le maximum d'eau du moteur. Faire tourner à un régime élevé un moteur humide causerait son endommagement rapide.
- L'utilisation en conditions humides peut réduire la durée de vie du moteur. La résistance de l'eau cause des efforts plus importants. Adaptez le rapport de transmission en utilisant un pignon plus petit ou une couronne plus grande. Cela augmentera le couple (et la durée de vie du moteur) quand vous roulez dans la boue, dans les flaques profondes ou n'importe quelle autre condition humide, cela augmente la charge appliquée au moteur.

Maintenance en conditions humides

- Evacuez l'eau collectée par les pneus en les faisant tourner à haute vitesse. Retirez la carrosserie, retournez le véhicule et donnez des courts coups d'accélérateur plein gaz jusqu'à ce que l'eau soit retirée.



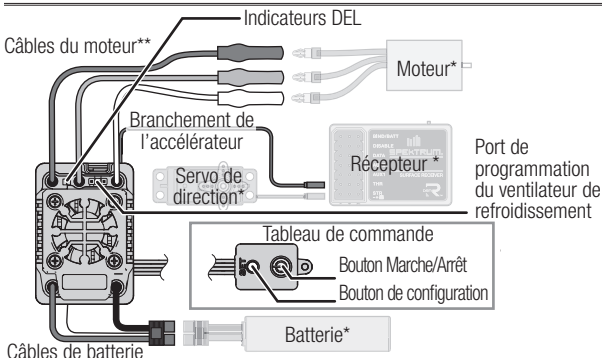
ATTENTION: Tenez toujours éloigné des parties en rotation, les mains, les doigts, les outils ou autre objet lâches/pendants.

- Retirez la batterie et séchez ses contacts. Si vous possédez un compresseur d'air ou une bombe d'air comprimé, chassez toute l'humidité qui se trouve dans la prise.
- Retirez les roues du véhicule et rincez-les à l'aide d'un arrosoir pour retirer la boue et la poussière. Evitez de rincer les roulements et la transmission.

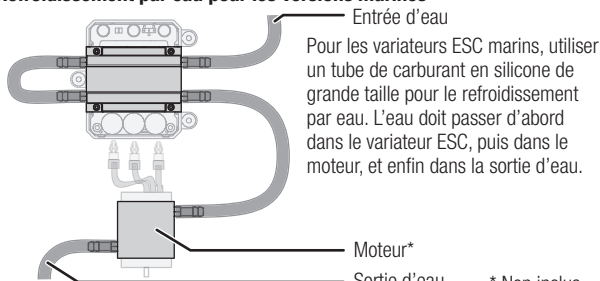
REMARQUE: N'utilisez jamais un nettoyeur haute-pression pour nettoyer le véhicule.

- Utilisez un compresseur d'air ou une bombe d'air comprimée pour sécher le véhicule et vous aider à retirer l'eau logée dans les renforcements et les recoins.
- Vaporisez du lubrifiant ou de l'anti-humidité sur les roulements, les vis ou autres pièces métalliques. Ne pas en vaporiser sur le moteur.
- Laissez le véhicule sécher avant de le stocker. L'eau (et l'huile) peuvent continuer à s'écouler durant quelques heures.
- Augmentez la fréquence d'inspection, de démontage et de lubrification des éléments suivants:
 - Les axes de roues et roulements des fusées avant et arrière.
 - Tous les boîtiers de transmissions, pignons et différentiels.
 - Le Moteur—nettoyez-le à l'aide d'un aérosol de nettoyant moteur et lubrifiez les paliers à l'aide de lubrifiant pour roulements.

Schéma de câblage



Refroidissement par eau pour les versions marines



* Non inclus

** Certains variateurs ESC Firma sont équipés de connecteurs cylindriques femelle directement sur le boîtier de l'ESC

Signal des gaz

Accélération SMART :

Le variateur ESC Spektrum Firma™ est compatible avec l'accélération SMART. L'accélération SMART associe les signaux des gaz aux données de télémétrie provenant du variateur ESC sur un connecteur de servo normal à trois fils. Les récepteurs compatibles avec l'accélération SMART détectent un variateur ESC d'accélération SMART et commencent automatiquement à envoyer des données de télémétrie à votre émetteur.

Le branchement à l'accélération SMART permet à ce variateur ESC de transmettre la tension, le courant et d'autres données de télémétrie. Le variateur peut également transmettre des données sur les batteries Spektrum SMART compatibles. Une batterie Spektrum SMART dotée d'un connecteur IC3™ ou IC5™ est requise pour la transmission de données sur la batterie. Les connecteurs de série EC (EC3™, EC5™) permettent une utilisation basique, mais ne fournissent pas de données sur les batteries SMART. L'accélération SMART est disponible uniquement sur certains récepteurs de télémétrie Spektrum ; pour plus d'informations, consultez le manuel de votre récepteur. Si le variateur ESC n'est pas connecté à un récepteur compatible avec l'accélération SMART, aucune donnée de télémétrie ne sera transmise par le variateur ESC, mais celui-ci fonctionnera normalement avec un signal de servo courant (PWM).

Signal de servo normal (PWM) :

Les variateurs ESC Firma sont entièrement compatibles avec les récepteurs RC courants et utilisent un signal PWM conventionnel en vue d'une utilisation basique.

Installation et câblage

1. Montez le variateur ESC et le bouton d'alimentation à l'aide de ruban adhésif double face ou de bandes velcro adhésives. Choisissez un endroit bien aéré pour le montage du variateur ESC afin de permettre son refroidissement. Les languettes de montage du variateur ESC peuvent aussi être utilisées pour fixer le variateur ESC au châssis du véhicule.
2. Branchez les trois fils du moteur du variateur ESC aux fils du moteur, dans n'importe quel ordre. Dans le cas où le moteur tourne dans la mauvaise direction, inversez le branchement des deux fils.
3. Connectez le fil du servo des gaz au port des gaz de votre récepteur.
4. Protégez tous les câbles afin qu'ils ne risquent pas de s'endommager ou d'être happés par des pièces en mouvement.

REMARQUE : Ne branchez pas une batterie de récepteur dédiée au récepteur avec le variateur ESC. Lorsque le variateur ESC est activé, il fournit au récepteur une tension régulée de 6V depuis la batterie principale par le biais du branchement de l'accélérateur. Le variateur ESC peut s'endommager si le récepteur est également branché à une batterie de récepteur dédiée.

Calibrage du variateur ESC et de l'émetteur

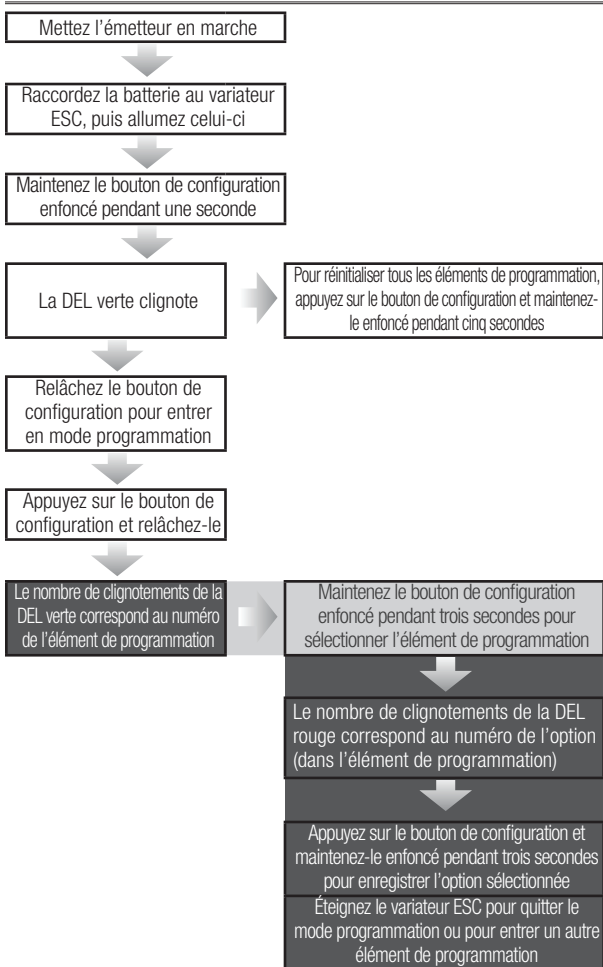
1. Commencez une fois l'affectation de l'émetteur et du récepteur terminée.
2. Réglez le canal d'accélérateur de votre émetteur sur une course à 100 % et le trim à la position neutre.
3. Activez votre émetteur et raccordez une batterie au variateur ESC, mais ne le mettez pas sous tension.
4. Appuyez sur le bouton de configuration et maintenez-le enfoncé tout en allumant le variateur ESC. Lorsque la DEL rouge commence à clignoter, relâchez le bouton de configuration. Le variateur ESC entrera en mode programmation en cas de pression sur le bouton pendant plus de trois secondes.

CONSEIL : La DEL rouge devrait clignoter lorsque le variateur ESC entre en mode calibrage. Si la DEL verte clignote, le variateur ESC est en mode programmation.

5. Laissez la commande d'accélération en position neutre, puis appuyez sur le bouton de configuration et relâchez-le. La DEL rouge cessera de clignoter, la DEL verte clignotera une fois et le moteur émettra une tonalité pour indiquer que la position neutre a été acceptée.
6. Maintenez la commande d'accélération en position pleins gaz, puis appuyez sur le bouton de configuration et relâchez-le. La DEL verte clignotera deux fois et le moteur émettra deux tonalités pour indiquer que la position pleins gaz a été acceptée.
7. Maintenez la commande d'accélération en position plein freinage, puis appuyez sur le bouton de configuration et relâchez-le. La DEL verte clignotera trois fois et le moteur émettra trois tonalités pour indiquer que la position plein freinage a été acceptée.

Le moteur fonctionnera normalement une fois le calibrage terminé.

Programmation des boutons



Autres options de programmation

D'autres options de programmation sont proposées, notamment le boîtier de programmation du variateur ESC SPMXCA200 Smart Firma et l'application de mise à jour et de programmation SmartLink USB. Consultez le site SpektrumRC.com pour plus de détails sur les variateurs ESC Firma.

Programmation à l'aide du boîtier de programmation SPMXCA200 SMART

1. Débranchez le ventilateur et branchez le fil de programmation au port du ventilateur.
2. Raccordez une batterie au variateur ESC.
3. Mettez le boîtier sous tension et sélectionnez le paramètre à l'aide du bouton de SÉLECTION.
4. Modifiez les valeurs du paramètre sélectionné à l'aide du bouton de MODIFICATION.
5. Appuyez sur le bouton SAVE (ENREGISTRER) pour enregistrer les modifications. Le variateur ESC doit être mis hors tension puis remis sous tension pour appliquer les modifications enregistrées.

Fonctionnement

1. Raccordez une batterie au variateur ESC.
2. Laissez la manette des gaz de l'émetteur en position neutre et appuyez sur le bouton Marche/Arrêt du variateur ESC pour l'allumer. Le variateur ESC déclenchera l'émission de plusieurs tonalités par le moteur.
Le nombre de tonalités indique (1) que le variateur ESC est en service (2) le nombre de cellules LiPo détectées (3) que le variateur ESC est prêt à l'emploi.
3. Appuyez sur le bouton Marche/Arrêt ou débranchez la batterie pour éteindre le variateur ESC.

REMARQUE : Ne laissez pas une batterie connectée avec le variateur ESC éteint pendant de longues périodes de temps. Débranchez toujours la batterie pour la ranger, ou elle risquera de l'endommager.

Indicateur DEL	Code DEL
Variateur ESC allumé, indicateur DEL éteint	La commande d'accélérateur est dans la zone neutre
DEL rouge allumée	L'ESC fonctionne en marche avant, marche arrière ou frein
DEL rouge et verte allumées	L'ESC est à plein régime, à plein frein ou à plein régime
La DEL rouge clignote avec de brèves mono-impulsions	Protection LVC activée
La DEL verte clignote avec de brèves mono-impulsions	Le variateur ESC est en mode protection thermique
La DEL verte clignote avec trois brèves impulsions répétées	Le variateur ESC a dépassé la limite de courant continu
La DEL verte clignote avec quatre brèves impulsions répétées	L'autodiagnostic du variateur ESC a échoué
La DEL verte clignote avec cinq brèves impulsions répétées	Temp. du condensateur dépassée

Guide de dépannage

Problème et indicateur DEL	Mode d'erreur	Causes possibles	Solution
Le moteur ne fonctionne pas. La DEL rouge clignote avec de brèves mono-impulsions.	La protection LVC a été activée.	La tension de la batterie est inférieure au réglage LVC.	Vérifiez que la batterie est chargée.
		Les réglages du variateur ESC sont incorrects pour votre batterie.	Vérifiez que les réglages du variateur ESC sont adéquats pour votre batterie.
Le moteur ne fonctionne pas. La DEL verte clignote avec de brèves mono-impulsions.	Le variateur ESC est en mode protection thermique.	Le variateur ESC reçoit un débit d'air inadéquat.	Éteignez le variateur ESC et laissez-le refroidir avant de le refaire fonctionner. Pensez à apporter certaines modifications pour améliorer le débit d'air au variateur ESC.
		Le système d'entraînement est soumis à une charge excessive pour le variateur ESC.	Pensez à changer la batterie, le moteur, les engrenages ou les pneus pour réduire la charge exercée sur le variateur ESC, ou modifiez vos habitudes de conduite pour réduire la charge.
Le moteur ne fonctionne pas. La DEL verte clignote avec trois brèves impulsions répétées.	Le variateur ESC a dépassé la limite de courant continu.	Le variateur ESC reçoit un débit d'air inadéquat.	Vérifiez que le moteur n'est pas endommagé. Un moteur endommagé peut rester opérationnel, mais tirer trop de courant, ce qui peut déclencher une protection contre les surintensités.
		Le système d'entraînement est soumis à une charge excessive pour le variateur ESC.	Réduisez la charge exercée sur le moteur Utilisez un variateur ESC capable de supporter des intensités de courant plus élevées si le variateur ESC choisi ne peut gérer les demandes de charge de votre modèle.
Le moteur ne fonctionne pas. La DEL verte clignote avec quatre brèves impulsions répétées.	L'autodiagnostic du variateur ESC a échoué.	Le variateur ESC est endommagé.	Envoyez le variateur ESC à un centre d'entretien Horizon Hobby.
Le moteur ne fonctionne pas. La DEL verte clignote avec cinq brèves impulsions répétées.	Temp. du condensateur dépassée	Le variateur ESC reçoit un débit d'air inadéquat.	Éteignez le variateur ESC et laissez-le refroidir avant de le refaire fonctionner. Pensez à apporter certaines modifications pour améliorer le débit d'air au variateur ESC.
		Le système d'entraînement est soumis à une charge excessive pour le variateur ESC.	Pensez à changer la batterie, le moteur, les engrenages ou les pneus pour réduire la charge exercée sur le variateur ESC, ou modifiez vos habitudes de conduite pour réduire la charge.
Le moteur produit des à-coups au démarrage.	S.O.	Mauvais branchement des câbles entre le variateur ESC et le moteur.	Vérifiez que tous les câbles sont bien branchés et bien isolés, refusionnez toute soudure froide.
		Résistance excessive sur le système d'entraînement.	Vérifiez si certaines pièces frottent les unes contre les autres, si des arbres sont tordus, si des roulements sont rouillés, si des engrenages sont serrés, ou toute autre cause possible de résistance supplémentaire sur le système d'entraînement.

Garantie limitée

Durée de la garantie

Garantie exclusive - Horizon Hobby, LLC (Horizon) garantit que le Produit acheté (le « Produit ») sera exempt de défauts matériels et de fabrication à sa date d'achat par l'Acheteur. La durée de garantie correspond aux dispositions légales du pays dans lequel le produit a été acquis. La durée de garantie est de 6 mois et la durée d'obligation de garantie de 18 mois à l'expiration de la période de garantie.

Limitations de la garantie

- (a) La garantie est donnée à l'acheteur initial (« Acheteur ») et n'est pas transférable. Le recours de l'acheteur consiste en la réparation ou en l'échange dans le cadre de cette garantie. La garantie s'applique uniquement aux produits achetés chez un revendeur Horizon agréé. Les ventes faites à des tiers ne sont pas couvertes par cette garantie. Les revendications en garantie seront acceptées sur fourniture d'une preuve d'achat valide uniquement. Horizon se réserve le droit de modifier les dispositions de la présente garantie sans avis préalable et révoque alors les dispositions de garantie existantes.
- (b) Horizon n'endosse aucune garantie quant à la vendabilité du produit ou aux capacités et à la forme physique de l'utilisateur pour une utilisation donnée du produit. Il est de la seule responsabilité de l'acheteur de vérifier si le produit correspond à ses capacités et à l'utilisation prévue.
- (c) Recours de l'acheteur – Il est de la seule discrétion d'Horizon de déterminer si un produit présentant un cas de garantie sera réparé ou échangé. Ce sont là les recours exclusifs de l'acheteur lorsqu'un défaut est constaté.

Horizon se réserve la possibilité de vérifier tous les éléments utilisés et susceptibles d'être intégrés dans le cas de garantie. La décision de réparer ou de remplacer le produit est du seul ressort d'Horizon. La garantie exclut les défauts esthétiques ou les défauts provoqués par des cas de force majeure, une manipulation incorrecte du produit, une utilisation incorrecte ou commerciale de ce dernier ou encore des modifications de quelque nature qu'elles soient.

La garantie ne couvre pas les dégâts résultant d'un montage ou d'une manipulation erronés, d'accidents ou encore du fonctionnement ainsi que des tentatives d'entretien ou de réparation non effectuées par Horizon. Les retours effectués par le fait de l'acheteur directement à Horizon ou à l'une de ses représentations nationales requièrent une confirmation écrite.

Limitation des dommages

Horizon ne saurait être tenu pour responsable de dommages conséquents directs ou indirects, de pertes de revenus ou de pertes commerciales, liés de quelque manière que ce soit au produit et ce, indépendamment du fait qu'un recours puisse être formulé en relation avec un contrat, la garantie ou l'obligation de garantie. Par ailleurs, Horizon n'acceptera pas de recours issus d'un cas de garantie lorsque ces recours dépassent la valeur unitaire du produit. Horizon n'exerce aucune influence sur le montage, l'utilisation ou la maintenance du produit ou sur d'éventuelles combinaisons de produits choisis par l'acheteur. Horizon ne prend en compte aucune garantie et n'accepte aucun recours pour les blessures ou les dommages pouvant en résulter. Horizon Hobby ne saurait être tenu responsable d'une utilisation ne respectant pas les lois, les règles ou réglementations en vigueur.

En utilisant et en montant le produit, l'acheteur accepte sans restriction ni réserve toutes les dispositions relatives à la garantie figurant dans le présent document. Si vous n'êtes pas prêt, en tant qu'acheteur, à accepter ces dispositions en relation avec l'utilisation du produit, nous vous demandons de restituer au vendeur le produit complet, non utilisé et dans son emballage d'origine.

Indications relatives à la sécurité

Ceci est un produit de loisirs perfectionné et non un jouet. Il doit être utilisé avec précaution et bon sens et nécessite quelques aptitudes mécaniques ainsi que mentales. L'incapacité à utiliser le produit de manière sûre et raisonnable peut provoquer des blessures et des dégâts matériels conséquents. Ce produit n'est pas destiné à être utilisé par des enfants sans la surveillance par un tuteur. La notice d'utilisation contient des indications relatives à la sécurité ainsi que des indications concernant la maintenance et le fonctionnement du produit. Il est absolument indispensable de lire et de comprendre ces indications avant la première mise en service. C'est uniquement ainsi qu'il sera possible d'éviter une manipulation erronée et des accidents entraînant des blessures et des dégâts. Horizon Hobby ne saurait être tenu responsable d'une utilisation ne respectant pas les lois, les règles ou réglementations en vigueur.

Questions, assistance et réparations

Votre revendeur spécialisé local et le point de vente ne peuvent effectuer une estimation d'éligibilité à l'application de la garantie sans avoir consulté Horizon. Cela vaut également pour les réparations sous garantie. Vous voudrez bien, dans un tel cas, contacter le revendeur qui conviendra avec Horizon d'une décision appropriée, destinée à vous aider le plus rapidement possible.

Maintenance et réparation

Si votre produit doit faire l'objet d'une maintenance ou d'une réparation, adressez-vous soit à votre revendeur spécialisé, soit directement à Horizon. Emballez le produit soigneusement. Veuillez noter que le carton d'emballage d'origine ne suffit pas, en règle générale, à protéger le produit des dégâts pouvant survenir pendant le transport. Faites appel à un service de messagerie proposant une fonction de suivi et une assurance, puisque Horizon ne prend aucune responsabilité pour l'expédition du produit jusqu'à sa réception acceptée. Veuillez joindre une preuve d'achat, une description détaillée des défauts ainsi qu'une liste de tous les éléments distincts envoyés. Nous avons de plus besoin d'une adresse complète, d'un numéro de téléphone (pour demander des renseignements) et d'une adresse de courriel.

Garantie et réparations

Les demandes en garantie seront uniquement traitées en présence d'une preuve d'achat originale émanant d'un revendeur spécialisé agréé, sur laquelle figurent le nom de l'acheteur ainsi que la date d'achat. Si le cas de garantie est confirmé, le produit sera réparé. Cette décision relève uniquement d'Horizon Hobby.

Réparations payantes

En cas de réparation payante, nous établissons un devis que nous transmettons à votre revendeur. La réparation sera seulement effectuée après que nous ayons reçu la confirmation du revendeur. Le prix de la réparation devra être acquitté au revendeur. Pour les réparations payantes, nous facturons au minimum 30 minutes de travail en atelier ainsi que les frais de réexpédition. En l'absence d'un accord pour la réparation dans un délai de 90 jours, nous nous réservons la possibilité de détruire le produit ou de l'utiliser autrement.

ATTENTION: Nous n'effectuons de réparations payantes que pour les composants électroniques et les moteurs. Les réparations touchant à la mécanique, en particulier celles des hélicoptères et des voitures radiocommandées, sont extrêmement coûteuses et doivent par conséquent être effectuées par l'acheteur lui-même.

10/15

Informations de contact pour garantie et réparation

Pays d'achat	Horizon Hobby	Numéro de téléphone/E-mail	Adresse
European Union	Horizon Technischer Service	service@horizonhobby.eu	Hanskampring 9 D 22885 Barsbüttel, Germany
	Sales: Horizon Hobby GmbH	+49 (0) 4121 2655 100	

Informations de conformité pour Canada

CAN ICES-3 (B)/NMB-3(B)

Le présent appareil est conforme aux CNR d'Industrie Canada applicables aux appareils radio exempts de licence. L'exploitation est autorisée aux deux conditions suivantes :

- (1) l'appareil ne doit pas produire de brouillage, et
- (2) l'utilisateur de l'appareil doit accepter tout brouillage radioélectrique subi, même si le brouillage est susceptible d'en compromettre le fonctionnement.

Informations de conformité pour l'Union européenne

CE Déclaration de conformité de l'Union européenne :
Horizon Hobby, LLC déclare par la présente que ce produit est en conformité avec les exigences essentielles et les autres dispositions de la directive CEM.

Une copie de la déclaration de conformité européenne est disponible à :
<http://www.horizonhobby.com/content/support-render-compliance>.

Instructions relatives à l'élimination des D3E pour les utilisateurs résidant dans l'Union européenne



Ce produit ne doit pas être éliminé avec d'autres déchets. Il relève de la responsabilité de l'utilisateur d'éliminer les équipements mis au rebut en les remettant à un point de collecte désigné en vue du recyclage des déchets d'équipements électriques et électroniques. La collecte et le recyclage séparés de vos équipements au moment de leur élimination aideront

à préserver les ressources naturelles et à garantir que les déchets seront recyclés de manière à protéger la santé humaine et l'environnement. Pour plus d'informations quant aux lieux de dépôt de vos équipements mis au rebut en vue du recyclage, veuillez contacter votre mairie, votre service de traitement des ordures ménagères ou le magasin dans lequel vous avez acheté le produit.

AVVISO

Tutte le istruzioni, le garanzie e gli altri documenti pertinenti sono soggetti a cambiamenti a totale discrezione di Horizon Hobby, LLC. Per una documentazione aggiornata sul prodotto, visitare il sito horizonhobby.com e fare clic sulla sezione Support del prodotto.

Significato di termini specialistici

Nella documentazione relativa al prodotto vengono utilizzati i seguenti termini per indicare i vari livelli di pericolo potenziale durante l'uso del prodotto:

AVVERTENZA: indica procedure che, se non debitamente seguite, determinano il rischio di danni alle cose, danni collaterali e gravi lesioni alle persone O il rischio elevato di lesioni superficiali alle persone.

ATTENZIONE: indica procedure che, se non debitamente seguite, determinano il rischio di danni alle cose E di gravi lesioni alle persone.

AVVISO: indica procedure che, se non debitamente seguite, possono determinare il rischio di danni alle cose E il rischio minimo o nullo di lesioni alle persone.



AVVERTENZA: leggere TUTTO il manuale di istruzioni e familiarizzare con le caratteristiche del prodotto prima di farlo funzionare. Un uso improprio del prodotto può

causare danni al prodotto stesso e alle altre cose e gravi lesioni alle persone.

Questo aeromodello è un prodotto sofisticato per appassionati di modellismo. Deve essere azionato in maniera attenta e responsabile e richiede alcune conoscenze basilari di meccanica. L'uso improprio o irresponsabile di questo prodotto può causare lesioni alle persone e danni al prodotto stesso o alle altre cose. Questo prodotto non deve essere utilizzato dai bambini senza la diretta supervisione di un adulto. Non tentare in nessun caso di smontare il prodotto, di utilizzarlo con componenti non compatibili o di potenziarlo senza previa approvazione di Horizon Hobby, LLC. Questo manuale contiene le istruzioni per la sicurezza, l'uso e la manutenzione del prodotto. È fondamentale leggere e seguire tutte le istruzioni e le avvertenze del manuale prima di montare, impostare o utilizzare il prodotto, al fine di utilizzarlo correttamente e di evitare di causare danni alle cose o gravi lesioni alle persone.

Almeno 14 anni. Non è un giocattolo.



AVVISO: Questo prodotto è rivolto esclusivamente a veicoli ed aerei di tipo hobbistico senza pilota a bordo e controllati a distanza. Al di fuori di questo utilizzo, Horizon Hobby declina ogni responsabilità e non riconosce interventi in garanzia.

Veicolo resistente all'acqua con elettronica impermeabile

Il vostro nuovo veicolo Horizon Hobby è stato progettato e costruito con una combinazione di componenti impermeabili e resistenti all'acqua, per consentirvi di utilizzare il prodotto in molte situazioni "umide", incluse pozze, ruscelli, erba bagnata, neve e anche pioggia. Sebbene tutto il veicolo sia altamente resistente all'acqua, tuttavia non è completamente impermeabile e NON si può trattare come fosse un sottomarino. I vari componenti elettronici usati sul veicolo, come il regolatore elettronico di velocità (ESC), i servi e il ricevitore, sono impermeabili, però molti dei componenti meccanici sono solo resistenti all'acqua e non si possono immergere.

Le parti metalliche, inclusi i cuscinetti, le cerniere, viti e dadi, come pure i contatti sui cavi elettrici, sono suscettibili di corrosione se non si fa una particolare manutenzione dopo l'uso sul bagnato. Per prolungare al massimo le prestazioni nel tempo e tenere valida la garanzia, le procedure descritte nella sezione "Manutenzione in condizioni umide," si devono applicare regolarmente se si sceglie di correre sul bagnato. Se non siete disposti ad eseguire questa manutenzione aggiuntiva, allora dovete evitare di utilizzare il veicolo in queste condizioni.



ATTENZIONE: L'uso incauto di questo prodotto o il mancato rispetto delle seguenti precauzioni può portare ad un malfunzionamento del prodotto e/o invalidare la garanzia.

Precauzioni generali

- Leggete attentamente le procedure di manutenzione del vostro veicolo in condizioni umide, per essere sicuri di avere tutte le attrezzature necessarie per questo scopo.
- Non tutte le batterie si possono usare in condizioni di umidità. Consultate il costruttore delle batterie prima di utilizzarle. Bisogna avere cautela quando si usano le batterie Li-Po in condizioni di bagnato.
- Molti trasmettitori non sono resistenti all'acqua. Consultate i relativi manuali o il costruttore prima dell'utilizzo.
- Non utilizzate mai il vostro trasmettitore o il veicolo quando ci sono lampi.
- Non utilizzate il vostro veicolo quando c'è il rischio che entri in contatto con acqua salata (acqua marina o acqua proveniente da una strada su cui sia stato sparso del sale), acqua contaminata o inquinata. L'acqua salata è molto conduttiva e altamente corrosiva, perciò bisogna usare molta cautela.
- Anche il minimo contatto con l'acqua potrebbe ridurre la vita del vostro motore se non è stato certificato come impermeabile o resistente all'acqua. Se dovesse essere troppo umido, accelerate poco finché l'acqua non viene rimossa dal motore. Far girare forte un motore bagnato potrebbe danneggiarlo rapidamente.
- Guidare sul bagnato può ridurre la vita del motore. La resistenza aggiuntiva in queste condizioni causa uno sforzo eccessivo. Modificate il rapporto di riduzione diminuendo il pignone o aumentando la corona. Questo aumenta la coppia (e la vita del motore) quando si utilizza il veicolo nel fango, in pozzanghere profonde o qualsiasi altra situazione in cui l'umidità possa aumentare il carico del motore per lungo tempo.

Manutenzione in condizioni umide

- Scaricare l'acqua raccolta negli pneumatici facendoli girare ad alta velocità. Togliere la carrozzeria e rovesciare il veicolo, poi dare alcune brevi accelerate finché l'acqua non viene rimossa.



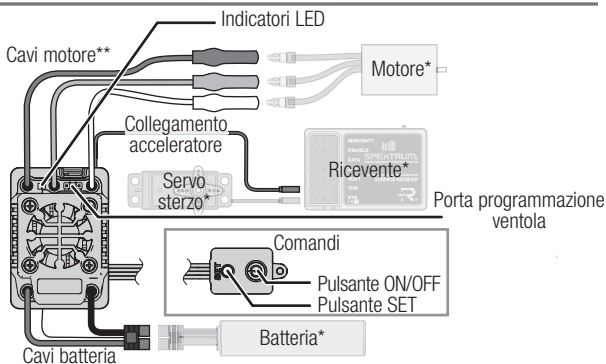
ATTENZIONE: Durante l'operazione precedente, tenere sempre lontano dalle parti rotanti mani, dita, attrezzi o altri oggetti liberi di muoversi.

- Togliere la batteria ed asciugarne i contatti. Se avete un compressore o una bombola di aria compressa, soffiare via l'eventuale acqua rimasta all'interno del connettore.
- Smontate le ruote/gomme dal veicolo e risciacquatele con attenzione per togliere il fango e la polvere usando un getto di acqua. Evitate di risciacquare i cuscinetti e la trasmissione.

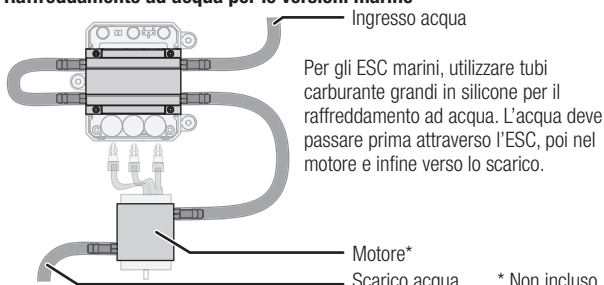
AVISO: Non usare acqua sotto pressione per pulire il vostro veicolo.

- Usate un compressore o una bombola di aria compressa per asciugare il veicolo e togliere i residui di acqua eventualmente rimasti nelle piccole fessure e negli angoli.
- Spruzzare un olio impermeabilizzante o un lubrificante su cuscinetti, elementi di fissaggio e altre parti metalliche. Non spruzzare sul motore.
- Lasciate che il veicolo si asciughi all'aria prima di riporlo. L'acqua (e l'olio) continuerà a gocciolare per alcune ore.
- Smontate il veicolo più di frequente, ispezionando e lubrificando le parti seguenti:
 - I cuscinetti dei mozzi sugli assi anteriore e posteriore.
 - Tutte le scatole di trasmissione, ingranaggi e differenziali.
 - Pulite il motore con un adatto prodotto aerosol e rilubrificare le boccole con olio leggero per motore.

Schema di cablaggio



Raffreddamento ad acqua per le versioni marine



* Non incluso
 **Alcuni ESC Firma sono dotati di connettori femmina a banana direttamente sull'alloggiamento dell'ESC

Segnale acceleratore

SMART Throttle:

L'ESC Spektrum Firma™ è compatibile con SMART Throttle. SMART Throttle combina i segnali dell'acceleratore con i dati telemetrici inviati dall'ESC su un normale connettore servo a tre fili. I ricevitori compatibili con SMART Throttle rilevano la presenza di un ESC SMART Throttle e avviano in automatico l'invio dei dati di telemetria alla trasmittente.

Tramite la connessione SMART Throttle, quest'ESC può inviare tensione, corrente e altri dati telemetrici. Può inoltre trasmettere i dati inviati da batterie Spektrum SMART compatibili. Per l'invio dei dati della batteria è necessaria una batteria Spektrum SMART con connettore IC3™ o EC5™. I connettori della serie EC (EC3™, EC5™) sono compatibili per un utilizzo base, ma non consentono l'invio dei dati delle batterie SMART.

Solo alcune riceventi telemetriche Spektrum includono SMART Throttle; verificare nel manuale della ricevente per ulteriori informazioni. Se l'ESC non è collegato a una ricevente SMART Throttle compatibile, i dati telemetrici dell'ESC non saranno disponibili, ma l'ESC funzionerà normalmente con un normale segnale servo (PWM).

Segnale servo normale (PWM):

Gli ESC Firma sono pienamente compatibili con i comuni ricevitori RC e utilizzano un segnale PWM convenzionale per il funzionamento di base.

Installazione e cablaggio

1. Montare l'ESC e il pulsante di alimentazione con nastro biadesivo o con una fascetta a strappo. Scegliere la posizione dove montare l'ESC, assicurando una buona ventilazione necessaria per il raffreddamento. Le linguette di montaggio dell'ESC possono essere utilizzate per fissare l'ESC al telaio del veicolo.
2. Collegare i tre fili del motore dall'ESC ai fili del motore in qualsiasi ordine. Se il motore gira in senso errato, invertire due fili qualsiasi.
3. Collegare il cavo del servo dell'acceleratore alla porta dell'acceleratore sulla ricevente.
4. Fissare i cavi in modo che siano protetti da danni e dalle parti in movimento.

AVVISO: non collegare una batteria dedicata alla ricevente insieme all'ESC. Quando è acceso, l'ESC fornisce alla ricevente una tensione regolata a 6 V dalla batteria tramite il collegamento dell'acceleratore. L'ESC può subire danni se la ricevente è allacciata anche a una batteria dedicata per la ricevente.

Calibrazione di trasmettente ed ESC

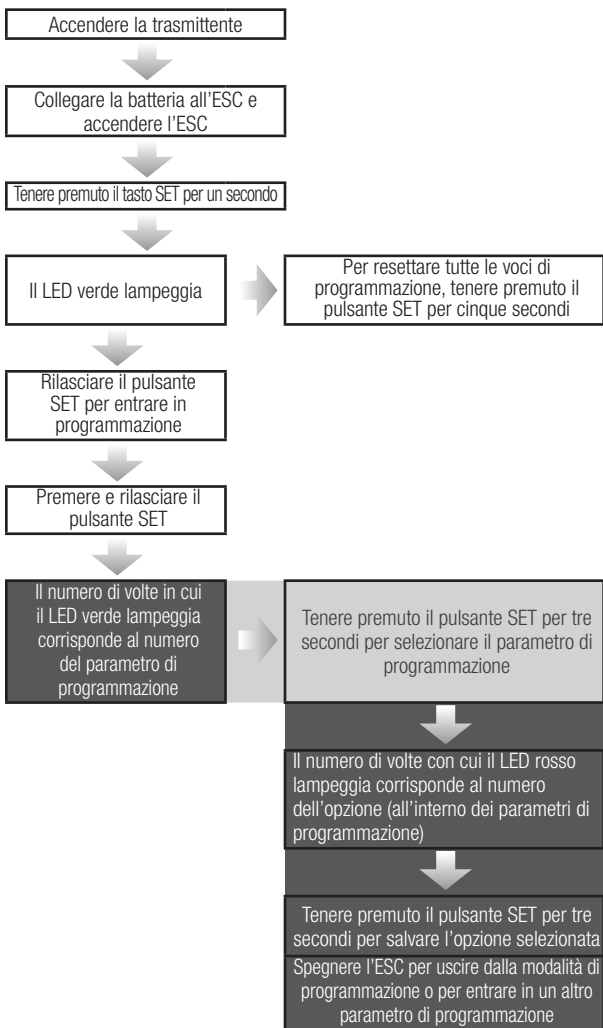
1. Completare il binding tra trasmettente e ricevente.
2. Impostare il canale dell'acceleratore della trasmettente al 100% della corsa e il trim al centro.
3. Accendere la trasmettente e collegare una batteria all'ESC ma senza accenderlo.
4. Tenere premuto il pulsante SET mentre si accende l'ESC. Quando il LED rosso inizia a lampeggiare, rilasciare il pulsante SET. L'ESC entra in modalità di programmazione se il pulsante viene premuto per più di tre secondi.

CONSIGLIO: il LED rosso deve lampeggiare quando l'ESC entra in modalità di calibrazione. Se il LED verde lampeggia, l'ESC è in modalità di programmazione.

5. Lasciare il grilletto dell'acceleratore in posizione neutra, quindi premere e rilasciare il pulsante SET. Il LED rosso smette di lampeggiare, il LED verde lampeggia una volta e il motore emette un tono per indicare che la posizione neutra è stata accettata.
6. Tenere il grilletto dell'acceleratore nella posizione di massima accelerazione, quindi premere e rilasciare il pulsante SET. Il LED verde lampeggia due volte e il motore emette due toni per indicare che la posizione tutto gas è stata accettata.
7. Tenere il grilletto dell'acceleratore nella posizione di piena frenata, quindi premere e rilasciare il pulsante SET. Il LED verde lampeggia tre volte e il motore emette tre toni per indicare che la posizione di massima frenata è stata accettata.

Il motore funzionerà normalmente una volta completata la calibrazione.

Programmazione dei pulsanti



Ulteriori opzioni di programmazione

Altre opzioni di programmazione includono il box di programmazione ESC Smart Firma SPMXCA200 e l'app di programmazione e aggiornamento SmartLink USB. Si veda SpektrumRC.com per maggiori dettagli sugli ESC Firma.

Programmare con il box di programmazione SPMXCA200 SMART

1. Scollegare la ventola e collegare il cavo di programmazione alla porta della ventola.
2. Collegare la batteria all'ESC.
3. Accendere il box e selezionare il parametro con il tasto SELECT.
4. Modificare i valori del parametro selezionato con il tasto EDIT
5. Premere il pulsante SAVE per salvare le modifiche. L'ESC richiede un ciclo di spegnimento/accensione per applicare le modifiche salvate.

Utilizzo

1. Collegare la batteria all'ESC.
2. Lasciare l'acceleratore della trasmittente in posizione neutra e accendere l'ESC premendo il pulsante On/Off sull'ESC. L'ESC farà emettere più toni al motore. Il numero di toni indica che (1) l'ESC è in funzione, (2) il numero di celle LiPo rilevate (3) e che l'ESC è pronto all'uso.
3. Premere il pulsante On/Off o scollegare la batteria per spegnere l'ESC.

AVVISO: non lasciare a lungo la batteria collegata all'ESC spento. Scollegare sempre la batteria in caso di inutilizzo per evitare il rischio di danneggiarla.

Indicatore LED	Codice LED
ESC acceso, l'indicatore LED è spento	Il grilletto dell'acceleratore è nella zona neutra
LED rosso acceso	ESC funziona in avanti, indietro o freno
LED rosso e verde accesi	ESC è a tutto gas, pieno freno o pieno riverbero
Il LED lampeggia in rosso con brevi impulsi singoli	La protezione LVC è attiva
Il LED lampeggia in verde con brevi impulsi singoli	L'ESC è in modalità di arresto termico
Il LED lampeggia in verde con tre brevi impulsi che si ripetono	L'ESC ha superato il limite di corrente continua
Il LED lampeggia in verde con quattro brevi impulsi che si ripetono	L'ESC ha fallito l'auto test
Il LED lampeggia in verde con cinque brevi impulsi che si ripetono	La temperatura del condensatore è stata superata

Guida alla risoluzione dei problemi

Problema e indicatore LED	Modo errore	Possibili cause	Soluzione
Il motore non funziona. Il LED lampeggia in rosso con brevi impulsi singoli.	LVC attivato.	La tensione della batteria è inferiore all'impostazione LVC.	Verificare che la batteria sia carica.
		Le impostazioni dell'ESC non sono corrette per la batteria.	Verificare che le impostazioni ESC siano corrette per la batteria in uso.
Il motore non funziona. Il LED lampeggia in verde con brevi impulsi singoli.	L'ESC è in modalità di arresto termico.	L'ESC non riceve un flusso d'aria adeguato.	Spegnere l'ESC e lasciarlo raffreddare prima di riprenderne l'uso. Valutare la possibilità di apportare modifiche per migliorare il flusso d'aria all'ESC.
		Il carico sul sistema di propulsione è troppo elevato e l'ESC non può sostenerlo.	Valutare la possibilità di sostituire batteria, motore, ingranaggi o ruote per ridurre il carico sull'ESC o modificare il proprio stile di pilotaggio per ridurre il carico.
Il motore non funziona. Il LED lampeggia in verde con tre brevi impulsi che si ripetono.	L'ESC ha superato il limite di corrente continua.	L'ESC non riceve un flusso d'aria adeguato.	Verificare che il motore non sia danneggiato; un motore danneggiato può ancora funzionare, ma assorbe una corrente eccessiva, con attivazione della protezione da sovracorrente.
		Il carico sul sistema di propulsione è troppo elevato e l'ESC non può sostenerlo.	Ridurre il carico sul motore Passare a un ESC con maggiore capacità di corrente se l'ESC scelto non è in grado di gestire la richiesta di carico.
Il motore non funziona. Il LED lampeggia in verde con quattro brevi impulsi che si ripetono.	L'ESC ha fallito l'auto test.	L'ESC è danneggiato.	Spedire l'ESC a un centro di assistenza Horizon Hobby per la manutenzione.
Il motore non funziona. Il LED lampeggia in verde con cinque brevi impulsi che si ripetono.	La temperatura del condensatore è stata superata	L'ESC non riceve un flusso d'aria adeguato.	Spegnere l'ESC e lasciarlo raffreddare prima di riprenderne l'uso. Valutare la possibilità di apportare modifiche per migliorare il flusso d'aria all'ESC.
		Il carico sul sistema di propulsione è troppo elevato e l'ESC non può sostenerlo.	Valutare la possibilità di sostituire batteria, motore, ingranaggi o ruote per ridurre il carico sull'ESC o modificare il proprio stile di pilotaggio per ridurre il carico.
Il motore perde colpi all'avviamento.	N/D	Cattivo collegamento del cablaggio tra ESC e motore.	Verificare che il cablaggio sia ben collegato e isolato, ripetere eventualmente la saldatura a freddo dei giunti.
		Resistenza eccessiva sul sistema di propulsione.	Verificare che non vi siano parti con segni di sfregamento, alberi piegati, cuscinetti arrugginiti, ingranaggi stretti o qualsiasi altra cosa che potrebbe peggiorare la resistenza meccanica sul sistema di propulsione.

Garanzia

Periodo di garanzia

Garanzia esclusiva - Horizon Hobby, LLC (Horizon) garantisce che il prodotto acquistato (il "Prodotto") sarà privo di difetti relativi ai materiali e di eventuali errori di montaggio alla data di acquisto. Il periodo di garanzia è conforme alle disposizioni legali del paese nel quale il prodotto è stato acquistato. Tale periodo di garanzia ammonta a 6 mesi e si estende ad altri 18 mesi dopo tale termine.

Limiti della garanzia

(a) La garanzia è limitata all'acquirente originale (Acquirente) e non è cedibile a terzi.

L'acquirente ha il diritto a far riparare o a far sostituire la merce durante il periodo di questa garanzia. La garanzia copre solo quei prodotti acquistati presso un rivenditore autorizzato Horizon. Altre transazioni di terze parti non sono coperte da questa garanzia. La prova di acquisto è necessaria per far valere il diritto di garanzia. Inoltre, Horizon si riserva il diritto di cambiare o modificare i termini di questa garanzia senza alcun preavviso e di escludere tutte le altre garanzie già esistenti.

(b) Horizon non si assume alcuna garanzia per la disponibilità del prodotto, per l'adeguatezza o l'idoneità del prodotto a particolari previsti dall'utente. È sola responsabilità dell'acquirente il fatto di verificare se il prodotto è adatto agli scopi da lui previsti.

(c) Richiesta dell'acquirente – spetta soltanto a Horizon, a propria discrezione riparare o sostituire qualsiasi prodotto considerato difettoso e che rientra nei termini di garanzia. Queste sono le uniche rivalse a cui l'acquirente si può appellare, se un prodotto è difettoso. Horizon si riserva il diritto di controllare qualsiasi componente utilizzato che viene coinvolto nella rivalsa di garanzia. Le decisioni relative alla sostituzione o alla riparazione sono a discrezione di Horizon. Questa garanzia non copre dei danni superficiali o danni per cause di forza maggiore, uso errato del prodotto, un utilizzo che viola qualsiasi legge, regolamentazione o disposizione applicabile, negligenza, uso ai fini commerciali, o una qualsiasi modifica a qualsiasi parte del prodotto.

Questa garanzia non copre danni dovuti ad un'installazione errata, ad un funzionamento errato, ad una manutenzione o un tentativo di riparazione non idonei a cura di soggetti diversi da Horizon. La restituzione del prodotto a cura dell'acquirente, o da un suo rappresentante, deve essere approvata per iscritto dalla Horizon.

Limiti di danno

Horizon non si riterrà responsabile per danni speciali, diretti, indiretti o consequenziali; perdita di profitto o di produzione; perdita commerciale connessa al prodotto, indipendentemente dal fatto che la richiesta si basa su un contratto o sulla garanzia. Inoltre la responsabilità di Horizon non supera mai in nessun caso il prezzo di acquisto del prodotto per il quale si chiede la responsabilità. Horizon non ha alcun controllo sul montaggio, sull'utilizzo o sulla manutenzione del prodotto o di combinazioni di vari prodotti. Quindi Horizon non accetta nessuna responsabilità per danni o lesioni derivanti da tali circostanze. Con l'utilizzo e il montaggio del prodotto l'utente acconsente a tutte le condizioni, limitazioni e riserve di garanzia citate in questa sede. Qualora l'utente non fosse pronto ad assumersi tale responsabilità associata all'uso del prodotto, si suggerisce di restituire il prodotto intatto, mai usato e immediatamente presso il venditore.

Indicazioni di sicurezza

Questo è un prodotto sofisticato di hobbistica e non è un giocattolo. Esso deve essere manipolato con cautela, con giudizio e richiede delle conoscenze basilari di meccanica e delle facoltà mentali di base. Se il prodotto non verrà manipolato in maniera sicura e responsabile potrebbero risultare delle lesioni, dei gravi danni a persone, al prodotto o all'ambiente circostante. Questo prodotto non è concepito per essere usato dai bambini senza una diretta supervisione di un adulto. Il manuale del prodotto contiene le istruzioni di sicurezza, di funzionamento e di manutenzione del prodotto stesso. È fondamentale leggere e seguire tutte le istruzioni e le avvertenze nel manuale prima di mettere in funzione il prodotto. Solo così si eviterà un utilizzo errato e si preverranno incidenti, lesioni o danni.

Domande, assistenza e riparazioni

Il vostro negozio locale e/o luogo di acquisto non possono fornire garanzie di assistenza o riparazione senza previo colloquio con Horizon. Questo vale anche per le riparazioni in garanzia. Quindi in tale casi bisogna interpellare un rivenditore, che si metterà in contatto subito con Horizon per prendere una decisione che vi possa aiutare nel più breve tempo possibile.

Manutenzione e riparazione

Se il prodotto deve essere ispezionato o riparato, si prega di rivolgersi ad un rivenditore specializzato o direttamente ad Horizon. Il prodotto deve essere imballato con cura. Bisogna far notare che i box originali solitamente non sono adatti per effettuare una spedizione senza subire alcun danno. Bisogna effettuare una spedizione via corriere che fornisce una tracciabilità e un'assicurazione, in quanto Horizon non si assume alcuna responsabilità in relazione alla spedizione del prodotto. Inserire il prodotto in una busta assieme ad una descrizione dettagliata degli errori e ad una lista di tutti i singoli componenti spediti. Inoltre abbiamo bisogno di un indirizzo completo, di un numero di telefono per chiedere ulteriori domande e di un indirizzo e-mail.

Garanzia e riparazione

Le richieste in garanzia verranno elaborate solo se è presente una prova d'acquisto in originale proveniente da un rivenditore specializzato autorizzato, nella quale è ben visibile la data di acquisto. Se la garanzia viene confermata, allora il prodotto verrà riparato o sostituito. Questa decisione spetta esclusivamente a Horizon Hobby.

Riparazioni a pagamento

Se bisogna effettuare una riparazione a pagamento, effettueremo un preventivo che verrà inoltrato al vostro rivenditore. La riparazione verrà effettuata dopo l'autorizzazione da parte del vostro rivenditore. La somma per la riparazione dovrà essere pagata al vostro rivenditore. Le riparazioni a pagamento avranno un costo minimo di 30 minuti di lavoro e in fattura includeranno le spese di restituzione. Qualsiasi riparazione non pagata e non richiesta entro 90 giorni verrà considerata abbandonata e verrà gestita di conseguenza.

ATTENZIONE: Le riparazioni a pagamento sono disponibili solo sull'elettronica e sui motori. Le riparazioni a livello meccanico, soprattutto per gli elicotteri e le vetture RC, sono molto costose e devono essere effettuate autonomamente dall'acquirente. 10/15

Garanzia e Assistenza - Informazioni per i contatti

Paese di acquisto	Horizon Hobby	Contatti	Indirizzo
Unione Europea	Horizon Technischer Service	service@horizonhobby.de	Hanskampring 9 D 22885 Barsbüttel, Germany
	Sales: Horizon Hobby GmbH	+49 (0) 4121 2655 100	

Informazioni sulla conformità per l'Unione Europea

CE Dichiarazione di Conformità EU:

Horizon Hobby, LLC con la presente dichiara che il prodotto è conforme ai requisiti essenziali e ad altre disposizioni rilevanti della direttiva EMC.

Una copia della dichiarazione di conformità per l'Unione Europea è disponibile a:

<http://www.horizonhobby.com/content/support-render-compliance>

Istruzioni del RAEE per lo smaltimento da parte di utenti dell'Unione Europea



Questo prodotto non deve essere smaltito assieme ai rifiuti domestici. Al contrario, l'utente è responsabile dello smaltimento di tali rifiuti che devono essere portati in un centro di raccolta designato per il riciclaggio di rifiuti elettrici e apparecchiature elettroniche. La raccolta differenziata e il riciclaggio

di tali rifiuti provenienti da apparecchiature nel momento dello smaltimento aiuteranno a preservare le risorse naturali e garantiranno un riciclaggio adatto a proteggere il benessere dell'uomo e dell'ambiente. Per maggiori informazioni sui centri di raccolta, contattare il proprio ufficio locale, il servizio di smaltimento rifiuti o il negozio presso il quale è stato acquistato il prodotto.



MARINE

© 2020 Horizon Hobby, LLC. Firma, the Firma Logo, IC5, EC3, and the Horizon Hobby logo are trademarks or registered trademarks of Horizon Hobby, LLC.

The Spektrum trademark is used with permission of Bachmann Industries, Inc.

All other trademarks, service marks and logos are property of their respective owners.

Created 03/2020

60593.2